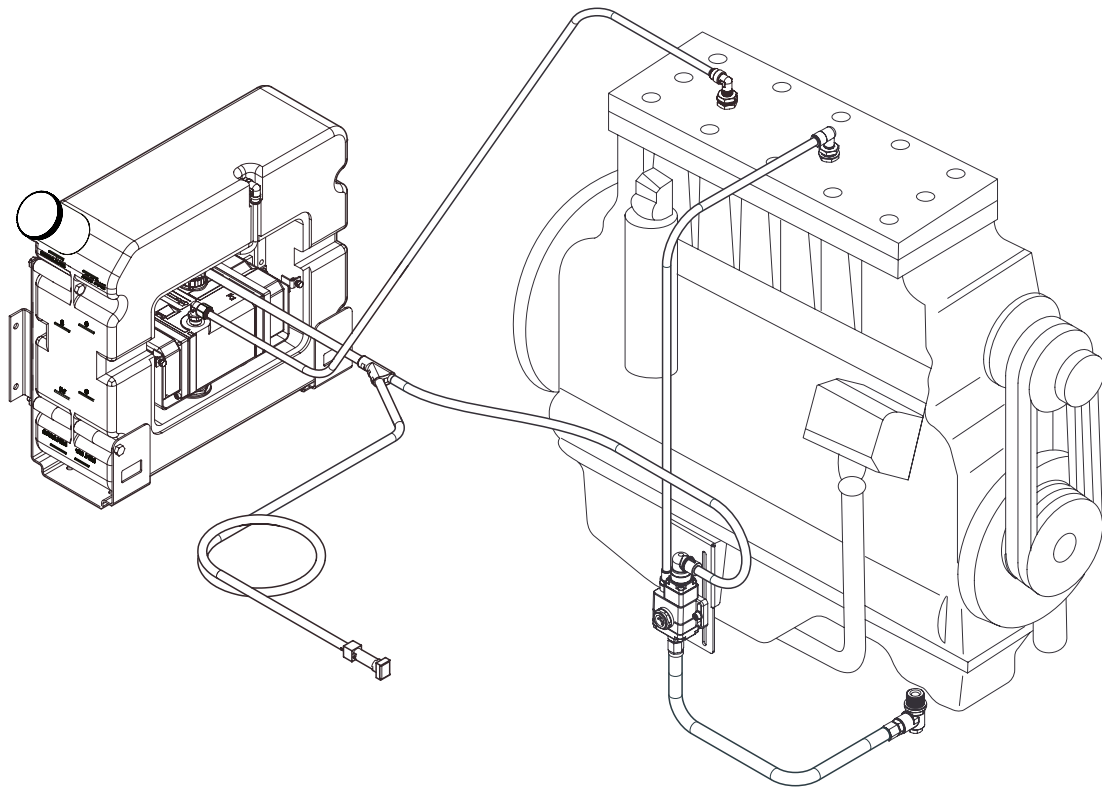


Parts Manual



Oilmaster

F214465R04



YOUR EFFICIENCY IS OUR CHALLENGE



All rights reserved. No part of this manual may be copied and/or published by means of printing, photocopying, microfilm or by any other means without prior written permission from Groeneveld. This applies also to the drawings and diagrams appended.

Groeneveld reserves the right to change parts at any time, without prior or direct notice to the customer. The contents of this manual may also be changed without prior notice.

This manual applies to the standard version of the product. Groeneveld cannot accept liability for any damage arising from the use of specifications other than that supplied.

You are requested to contact Groeneveld technical service for information concerning adjustment, maintenance work or repairs that is not described in this manual.

Whilst this manual has been prepared with the greatest possible care Groeneveld cannot accept responsibility for any errors of the consequences of such errors.

TABLE OF CONTENTS

1. OILMASTER KITS COMPLETE5
 1.1 Oilmaster-2 complete kits7

2. OILMASTERS STANDARD9
 2.1 Oilmaster 12 litres11
 2.2 Oilmaster 6 litres13

3. OILMASTERS SPECIALS 15
 3.1 Oilmaster 19 litres17
 3.2 Oilmaster 15 litres Heavy duty19
 3.3 Oilmaster 4 litres compact21

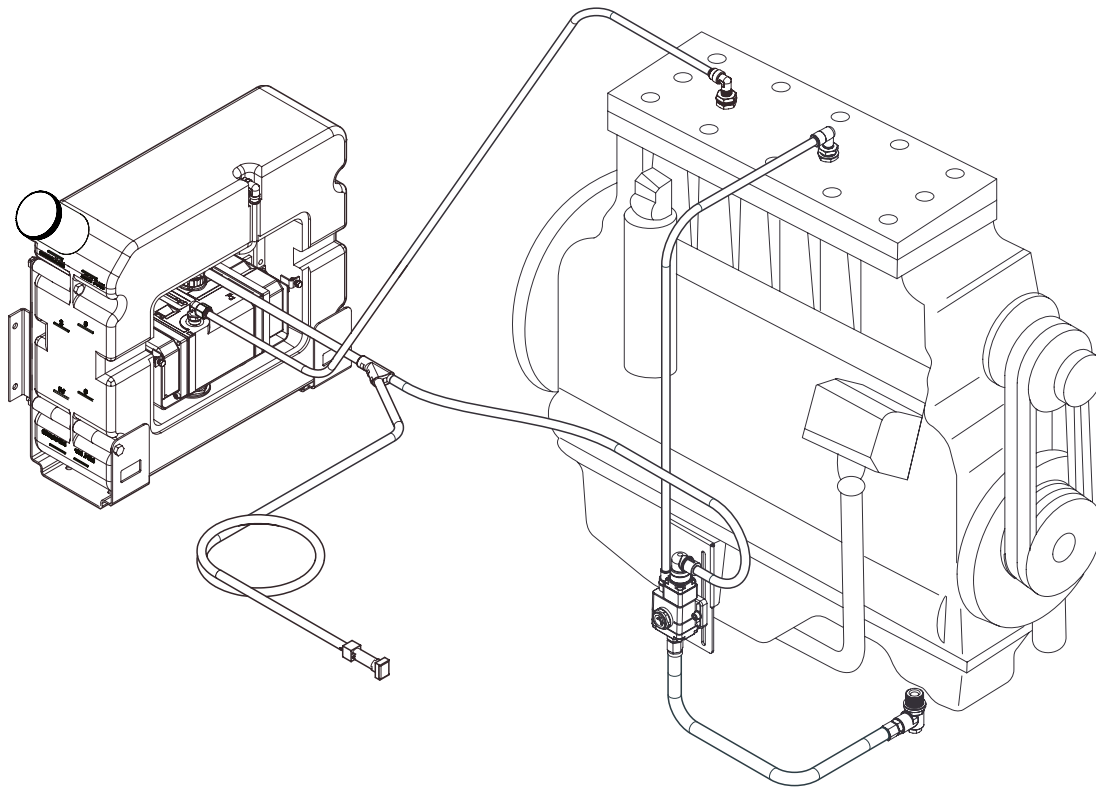
4. PUMP UNITS 23
 4.1 Oilmaster-2 pump unit25
 4.2 Oilmaster-1 pump unit (Expired)27

5. OTHER PARTS 29
 5.1 Oilmaster connection parts31
 5.2 Oilmaster electrical parts33
 5.3 Oilmaster filler kit & filler caps35
 5.4 Oilmaster sump plugs37
 5.5 Oilmaster brackets39

6. DIAGNOSTIC TOOLS 41
 6.1 Oilmaster-2 PC-GINA diagnostic kit43
 6.2 Oilmaster UniGINA diagnostic kit45

7. INDEX 47

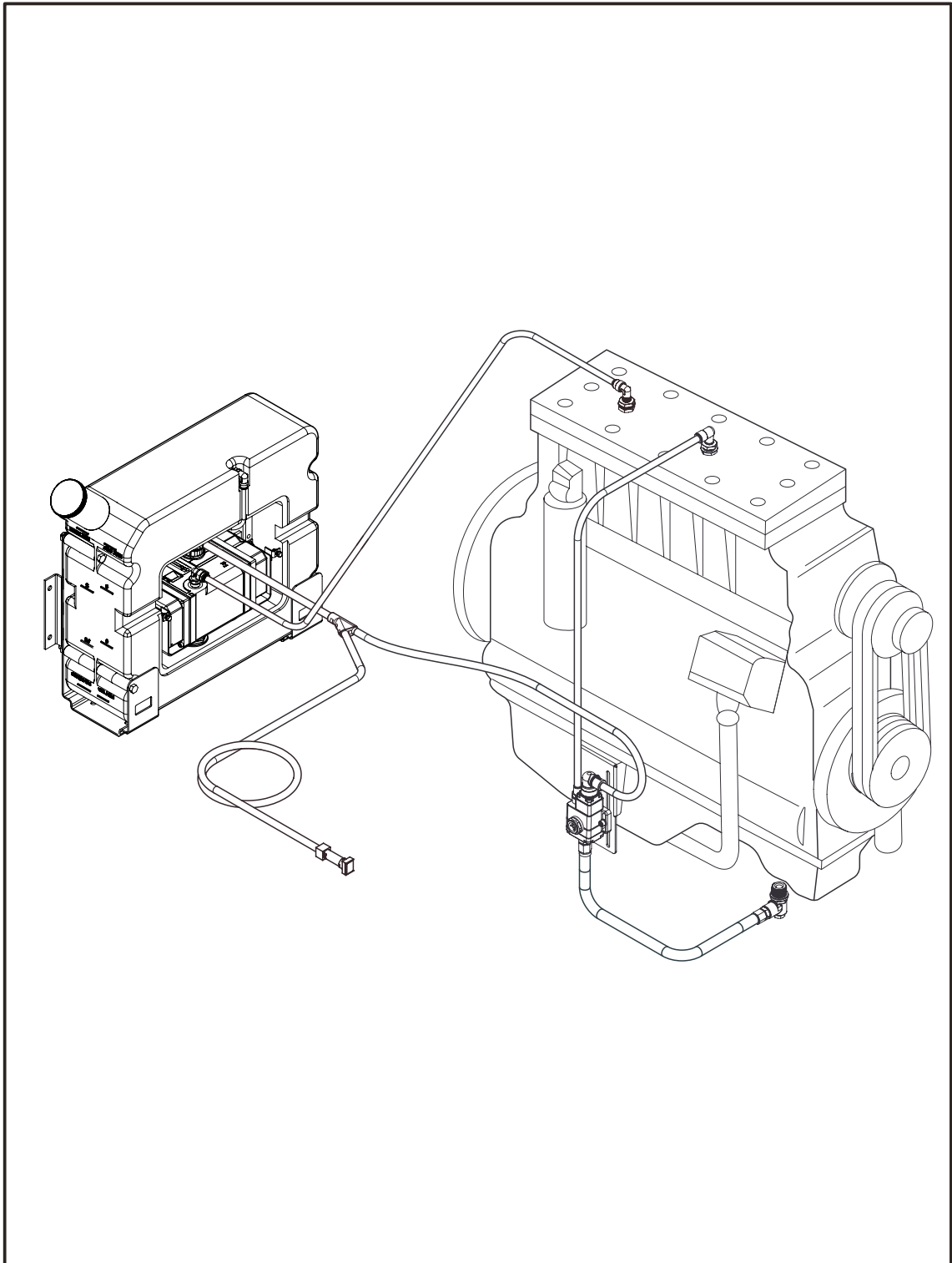
1. OILMASTER KITS COMPLETE



Release date: August 2017



YOUR EFFICIENCY IS OUR CHALLENGE



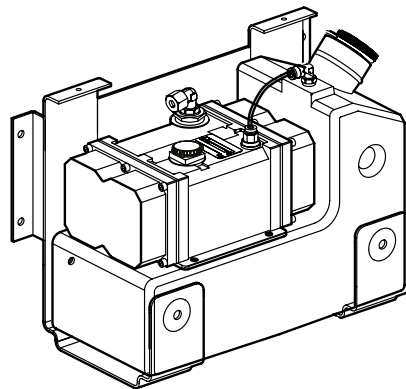
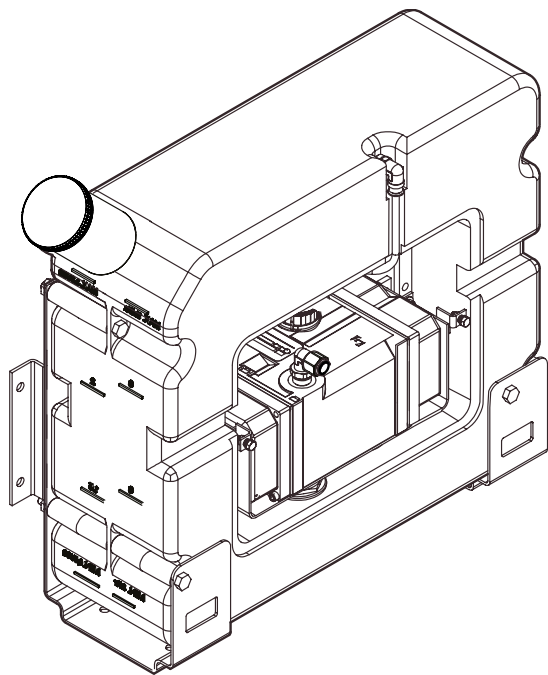
Release date: August 2017

1.1 Oilmaster-2 complete kits

<i>Part nr.</i>	<i>Description</i>
F113188	12 Litres 12 Volt 3 hour Kit
F173055	12 Litres 24 Volt 1 hour Kit
F112785	12 Litres 24 Volt 3 hour Kit
F116547	12 Litres 24 Volt 3 hour kit with vertical heavy duty bracket
F114758	6 Litres 12 Volt 3 hours Kit
F173079	6 Litres 24 Volt 1 hour Kit
F114757	6 Litres 24 Volt 3 hours Kit
F121697	19 Litres 24 Volt 1 hour (no Oilmaster mounting bracket)
F130209	15 Litres 24 Volt 1 hour Heavy duty Kit
F114834	4 litres 12 Volt 3 hours kit (requires additional tank)
F114833	4 litres 24 Volt 3 hours kit (requires additional tank)

Kits are without sump plug see page 37

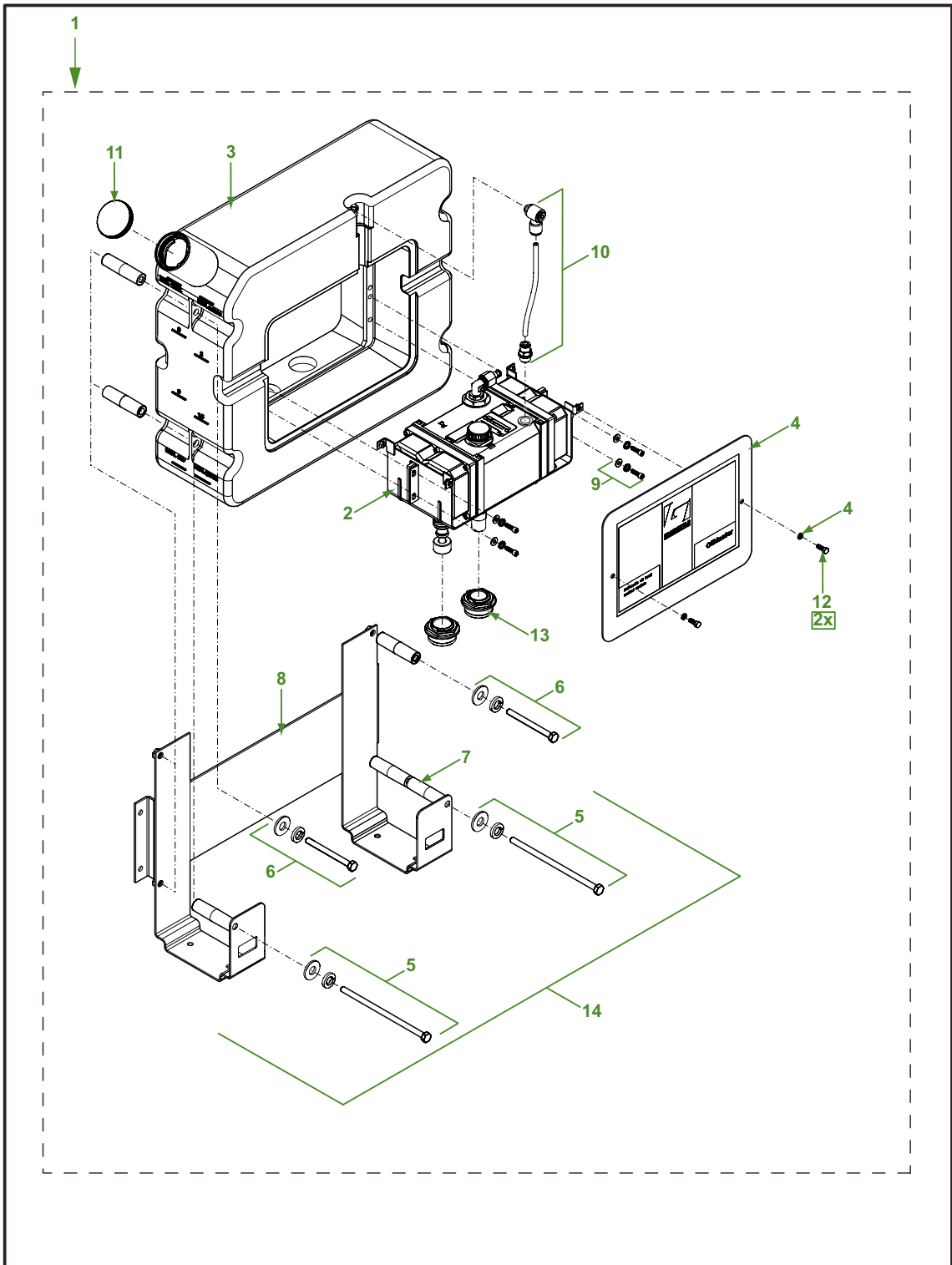
2. OILMASTERS STANDARD



Release date: August 2017



YOUR EFFICIENCY IS OUR CHALLENGE



Release date: August 2017

2.1 Oilmaster 12 litres

<i>Pos</i>	<i>Part nr.</i>	<i>Supply voltage</i>	<i>Capacity reservoir</i>	<i>Setting</i>
1	F173081	24Vdc	12 Litres	1H
-	F116801	12Vdc	12 Litres	3H
-	F117258	24Vdc	12 Litres	3H

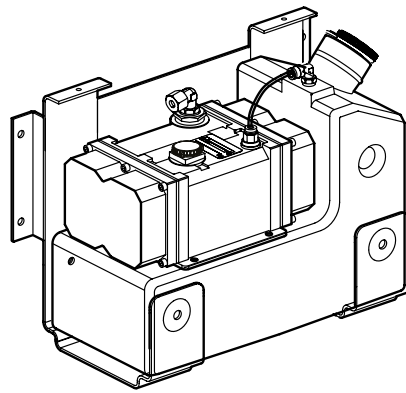
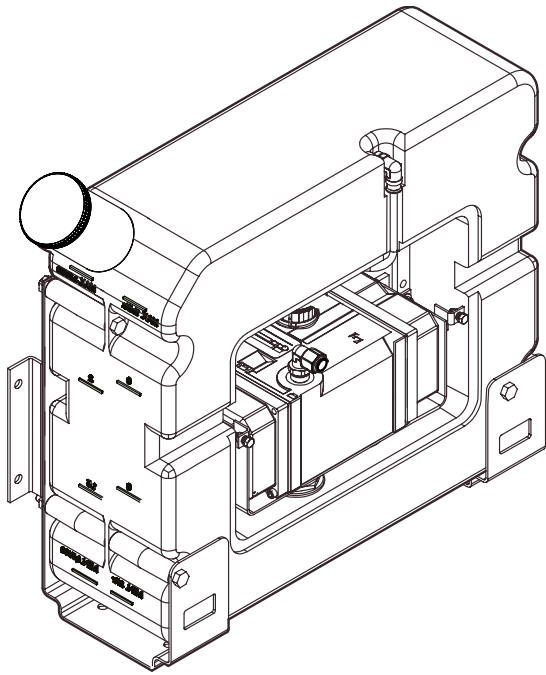
<i>Pos</i>	<i>Part nr.</i>	<i>Description</i>
2	Oilmaster	Pump unit (see page 25 for the details)
-	F173086	Pump unit 24V 1H (see page 25 for the details)
-	F116872	Pump unit 12V 3H (see page 25 for the details)
-	F116871	Pump unit 24V 3H (see page 25 for the details)
3	F126754	Oilmaster tank 12L standard with sealing kit pos.13
	F210800	Oilmaster tank 12L with drain plug with sealing kit pos.13
4	F126755	Oilmaster cover kit
5	F113149	Allan screw kit M8x170
6	F113148	Allan screw kit M8x90
7	F113150	Spacer kit 72x20x9
8	F113139	Standard bracket 12L
9	F126766	Clamping kit pump unit
10	F113141	Ventilation kit 6mm
11	F126879	Filler cap without lock
-	F113843	Filler cap with lock
-	F127840	Filler cap with lock / master key
	F128218	Filler cap with chain
12	F114151	Uni screw M5x14 SS
13	F170520	Sealing kit Oilmaster
14	F126762	Standard bracket kit 12L

2.2 Oilmaster 6 litres

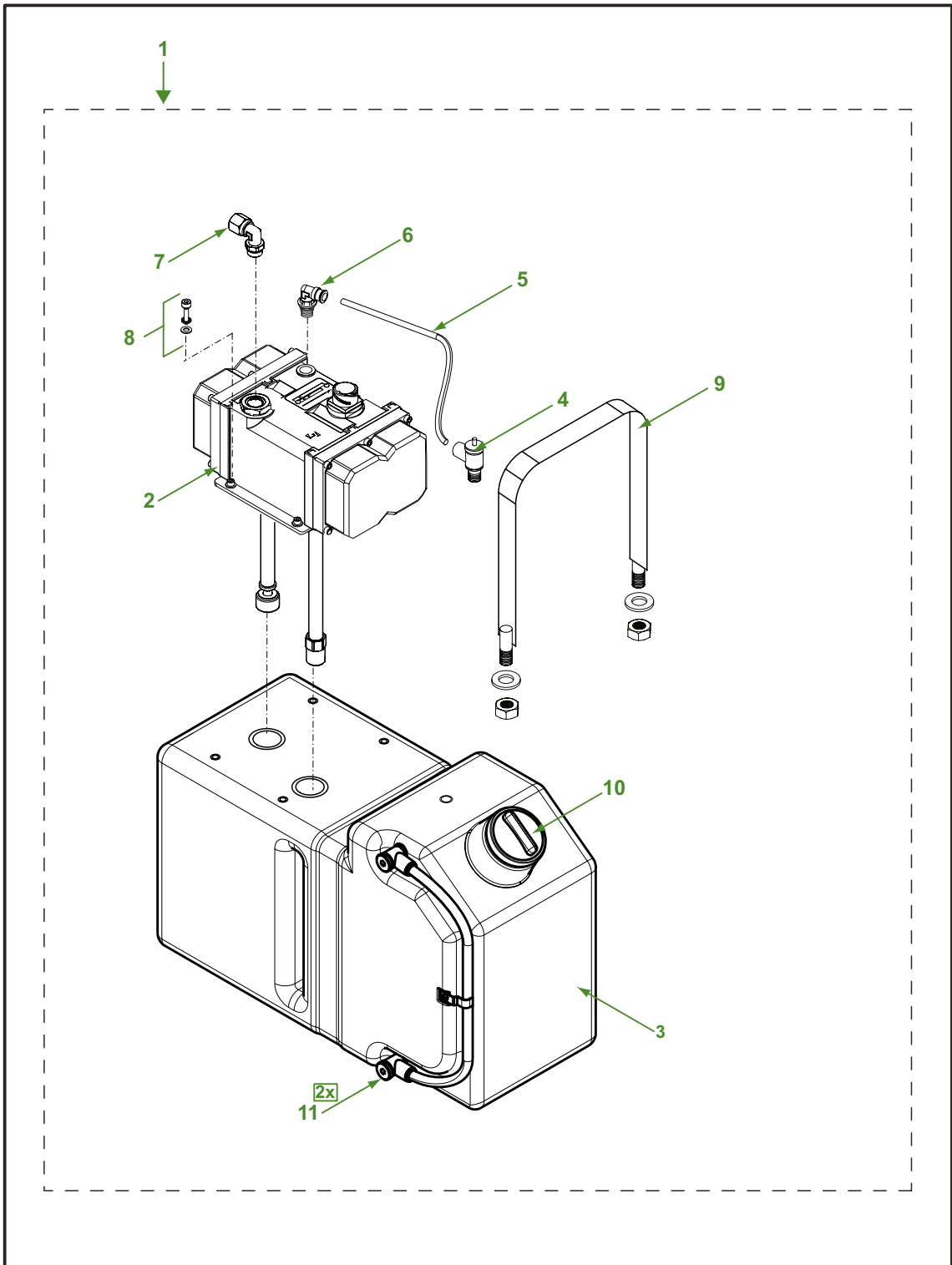
<i>Pos</i>	<i>Part nr.</i>	<i>Supply voltage</i>	<i>Capacity reservoir</i>	<i>Setting</i>
1-	F118030	24Vdc	6 Litres	1H
-	F114695	12Vdc	6 Litres	3H
-	F113655	24Vdc	6 Litres	3H

<i>Pos</i>	<i>Part nr.</i>	<i>Description</i>
2	Oilmaster	Pump unit (see page 25 for the details)
-	F173087	Pump unit 24V 1H (see page 25 for the details)
-	F116910	Pump unit 12V 3H (see page 25 for the details)
-	F116909	Pump unit 24V 3H (see page 25 for the details)
3	F126747	Oilmaster tank 6L (nylon)
4	F118179	Standard bracket
5	F121835	Oilmaster screws bracket kit 6L
6	F115137	Tube PA11 ø6x120 PA11
7	F116726	Elbow coupling G1/4" - 6mm
8	F126879	Filler cap without lock
-	F113843	Filler cap with lock
-	F127840	Filler cap with lock / masterkey
	F128218	Filler cap with chain
9	F114555	Oilmaster cover kit 6L
10	F117238	Screw unit kit

3. OILMASTERS SPECIALS



Release date: August 2017

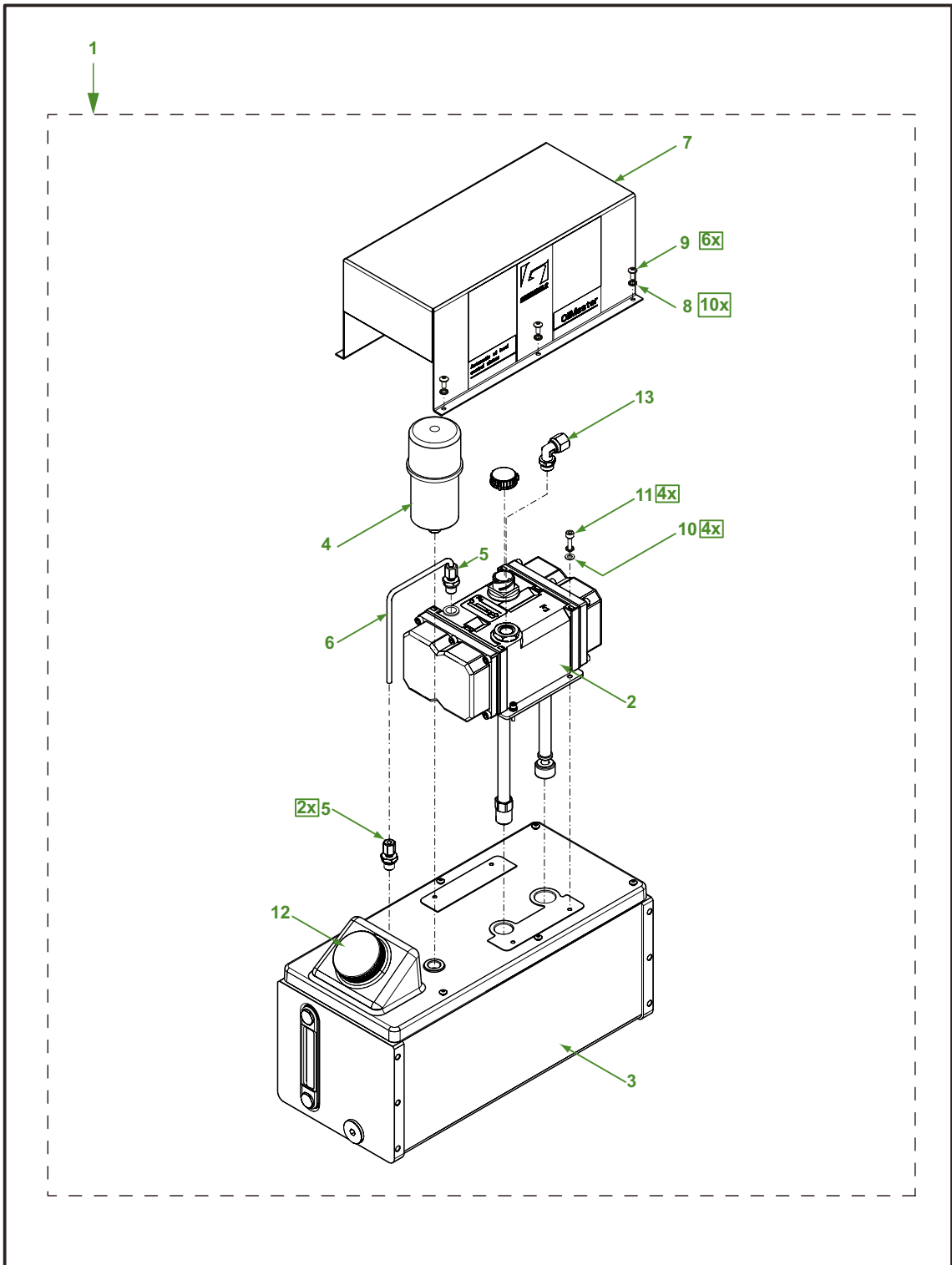


Release date: August 2017

3.1 Oilmaster 19 litres

<i>Pos</i>	<i>Part nr.</i>	<i>Supply voltage</i>	<i>Capacity reservoir</i>	<i>Setting</i>
1	F129348	24Vdc	19 Litres	1H

<i>Pos</i>	<i>Part nr.</i>	<i>Description</i>
2	Oilmaster	Pump unit (see page 25 for the details)
-	F126758	Pump unit 24V 1H (see page 25 for the details)
3	F130547	Oilmaster tank 19L
4	F117236	Overflow connector
5	F117136	Overflow Tube ø8
6	F115496	Elbow coupling ø8 - 1/4 Push-in
7	F120850	Elbow coupling R3/8" - M16x1.5
8	F117238	Screw kit 4x M5x16 with rings
9	F121817	Clamping strip Oilmaster 19L
10	F121698	Filler cap
11	F117235	Banjo ø10xM12x1.5 Steel



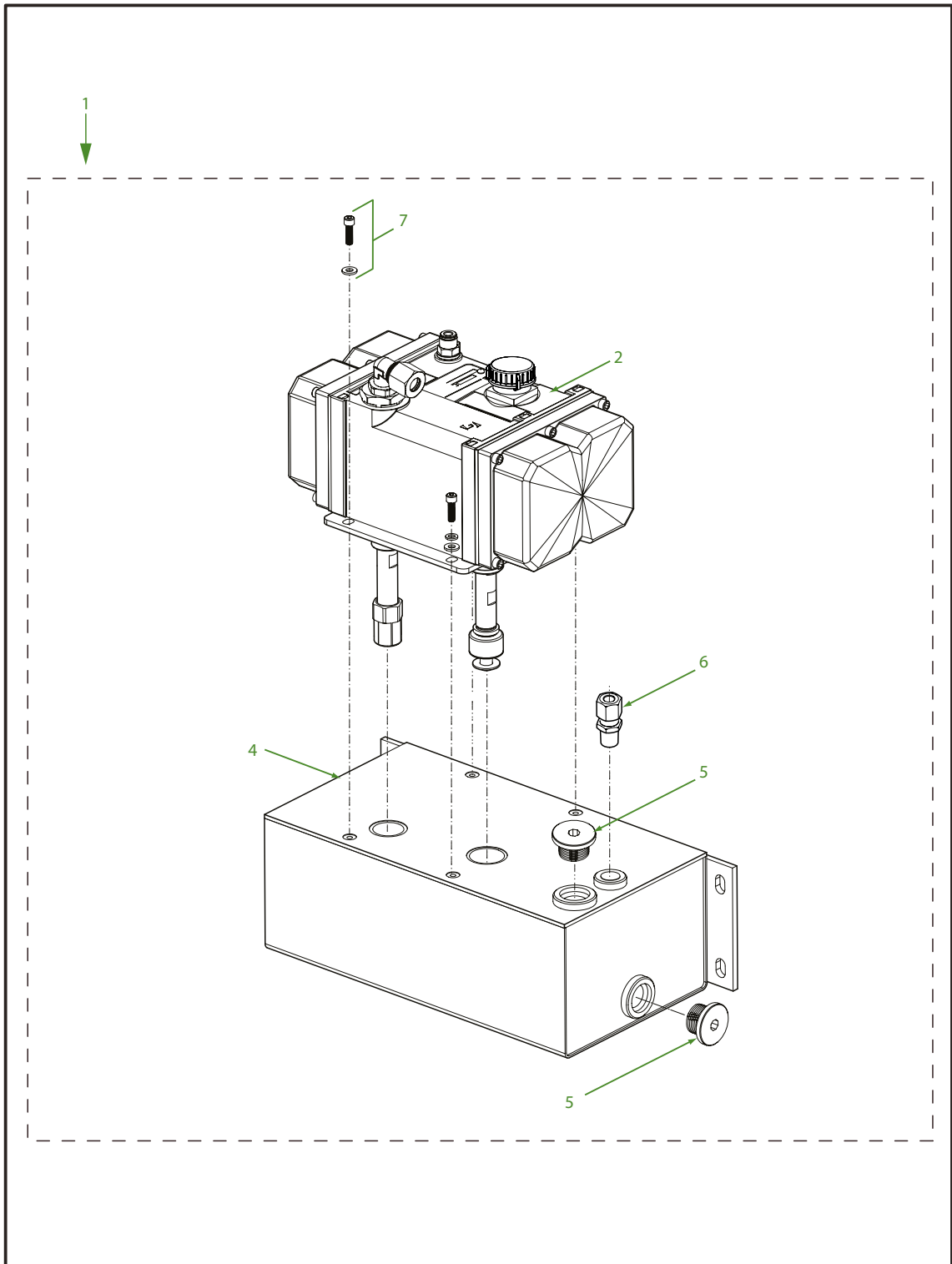
Release date: August 2017

3.2 Oilmaster 15 litres Heavy duty

<i>Pos</i>	<i>Part nr.</i>	<i>Supply voltage</i>	<i>Capacity reservoir</i>	<i>Setting</i>
1	F130069	24Vdc	15 Litres	1H

<i>Pos</i>	<i>Part nr.</i>	<i>Description</i>
2	Oilmaster	Pump unit (see page 25 for the details)
-	F131632	Pump unit 24V 1H (see page 25 for the details)
3	F127543	Oilmaster tank 15L (aluminium)
4	F127550	Air Filter RMF ACM61R
5	F129666	Straight Conn. G1/4"-6
6	F127558	Bleeder Tube
7	F127551	Protection Cover
8	F128191	Uni washer A5 SS
9	F112661	Screw M5x10 SS
10	F001074	Flat washer 5.3x10x1-BR
11	F117132	Allen screw M5x20-SS
12	F126879	Filler cap without lock
	F113843	Filler cap with lock
	F127840	Filler cap with lock / master key
	F128218	Filler cap with chain
13	F120850	Elbow coupling R3/8" - M16x1.5

Release date: August 2017



Release date: August 2017

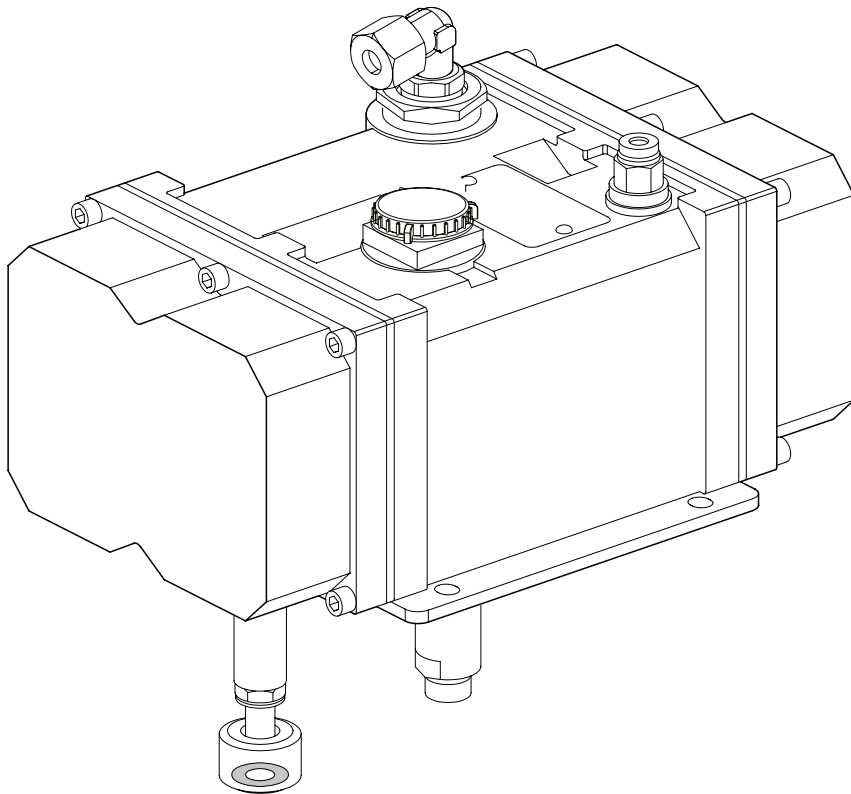
3.3 Oilmaster 4 litres compact

<i>Pos</i>	<i>Part nr.</i>	<i>Supply voltage</i>	<i>Capacity reservoir</i>	<i>Setting</i>
1	F173407	12Vdc	4 Litres	3H
-	F173461	24Vdc	4 Litres	3H

<i>Pos</i>	<i>Part nr.</i>	<i>Description</i>
2	Oilmaster	Pump unit (see page 25 for the details)
-	F116910	Pump unit 12Vdc 3H (see page 25 for the details)
-	F116909	Pump unit 24Vdc 3H (see page 25 for the details)
4	F173398	Oilmaster tank 4L (steel)
5	F172837	Drain plug M22x1.5
6	F119800	Straight coupling ø10-14" PTFE
7	F117238	Unit screw kit

Always requires an additional tank to function

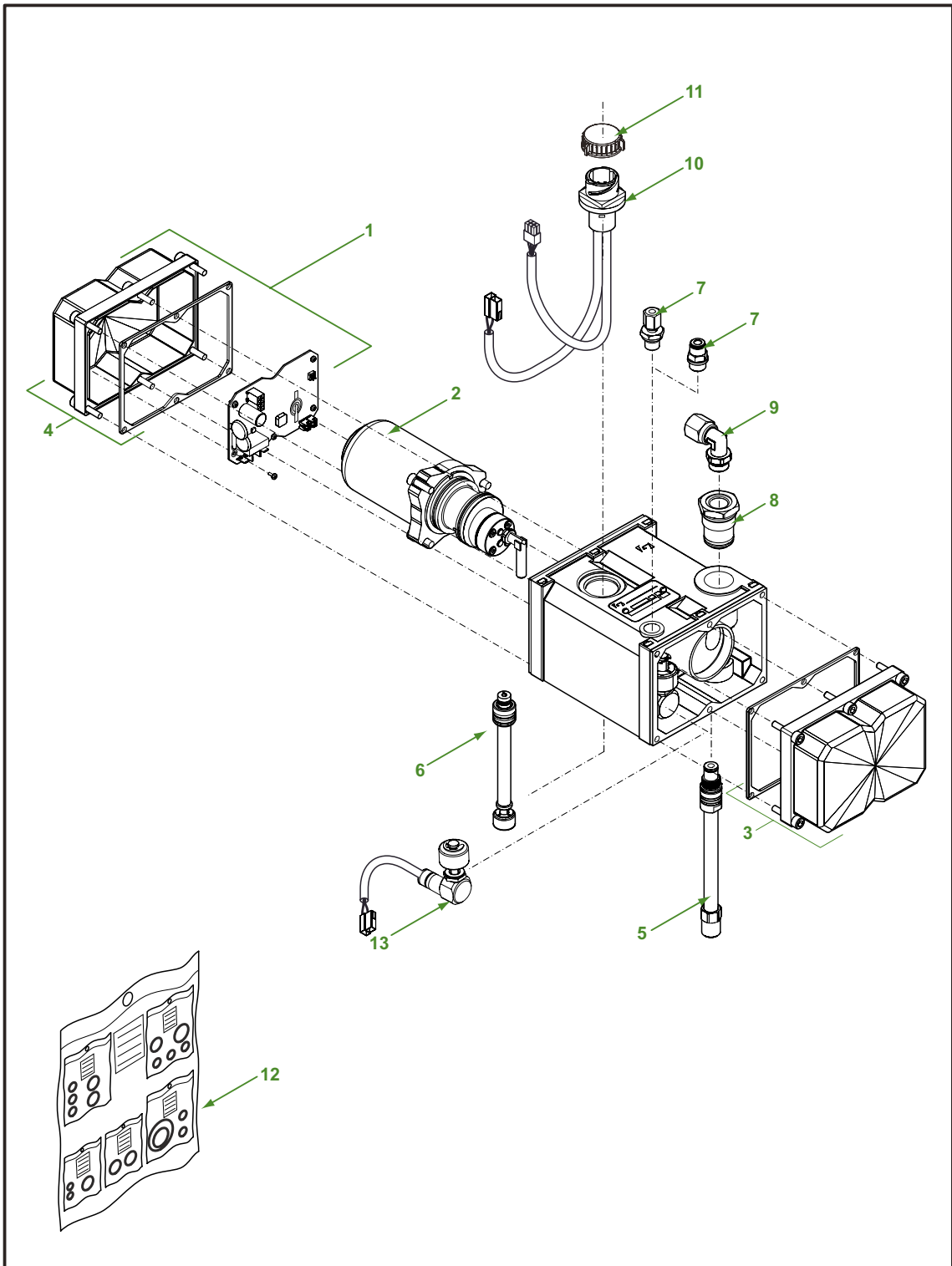
4. PUMP UNITS



Release date: August 2017



YOUR EFFICIENCY IS OUR CHALLENGE

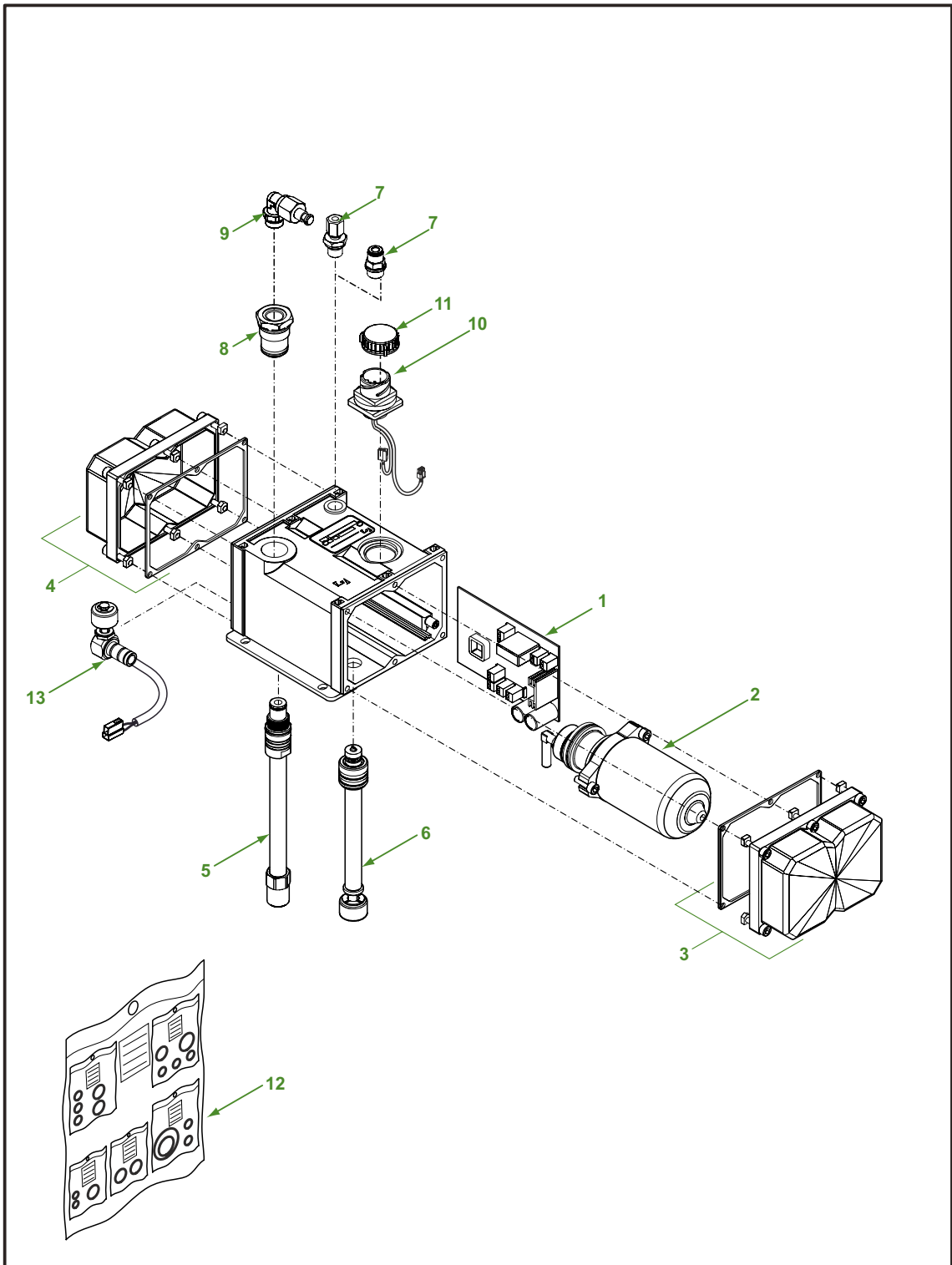


Release date: August 2017

4.1 Oilmaster-2 pump unit

<i>Pos</i>	<i>Part nr.</i>	<i>Description</i>
1	F601606	PCA kit Oilmaster 2 12v-1H
-	F601565	PCA kit Oilmaster 2 24v-1H
-	F601607	PCA kit Oilmaster 2 12v-3H
-	F601564	PCA kit Oilmaster 2 24v-3H
2	F131148	Complete motor kit 12Vdc
-	F131554	Complete motor kit 24Vdc
3	F126745	Calibration tank kit
4	F601843	Motor cover kit
5	F115838	Suction tube/check valve 4L - 6L
-	F115488	Suction tube/check valve 12L
-	F127546	Suction tube/check valve 15L
	F126759	Suction tube/check valve 19L
6	F129064	Complete sensor 4L - 6L
-	F131149	Complete sensor 12L
-	F131550	Complete sensor 15L
	F126760	Complete sensor 19L
7	F129666	Straight connector \varnothing 6-1/4"G
-	F112925	Push in connector \varnothing 6-1/4" G
	F115496	Push in elbow coupling \varnothing 8 - 1/4G (for 19L)
8	F113144	Complete oneway valve
9	F120850	Connector 90° R3/8"M16x1.5
10	F601913	Connector with harness
11	F119875	Plug connector
12	F601207	O-ring Repair kit
13	F129062	Sensor calibration tank

Release date: August 2017



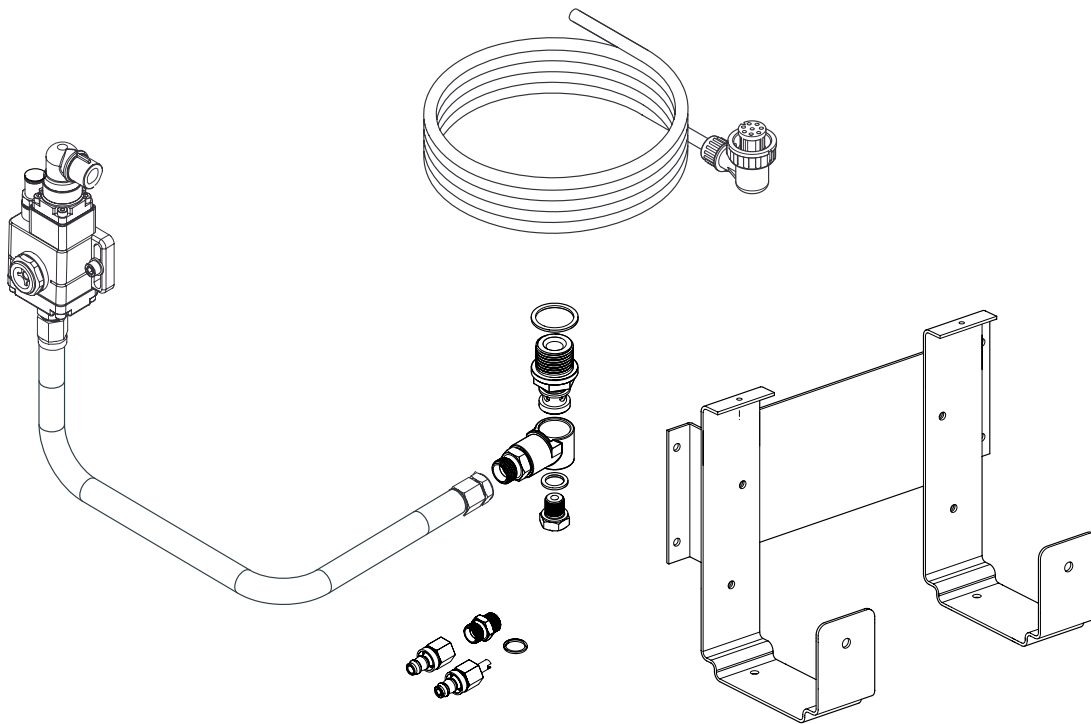
Release date: August 2017

4.2 Oilmaster-1 pump unit (Expired)

<i>Pos</i>	<i>Part nr.</i>	<i>Description</i>
1	F117798	PCA Oilmaster - 12Vdc 1H (under request)
-	F173054	PCA Oilmaster - 24Vcd 1H (under request)
-	F173053	PCA Oilmaster - 12Vdc 3H (under request)
-	F117702	PCA Oilmaster - 24Vdc 3H (under request)
2	F116562	Complete motor 12Vdc
-	F116561	Complete motor 24Vdc
3	F126744	Motor cover kit
4	F126745	Calibration tank kit
5	F115838	Suction tube/check valve 4L - 6L
-	F115488	Suction tube/check valve 12L
-	F127546	Suction tube/check valve 15L
6	F115836	Complete sensor 4L - 6L
-	F115489	Complete sensor 12L
-	F115837	Complete sensor 15L
7	F112925	Push in connector 6-1/4" G
-	F129666	Straight connector 6-1/4"G
8	F113144	Complete oneway valve
9	F120850	Connector 90° R3/8"M16x1.5
10	F126743	Connector with harness
11	F119875	Plug connector
12	F601207	O-ring Repair kit
13	F115495	Sensor calibration tank

Release date: August 2017

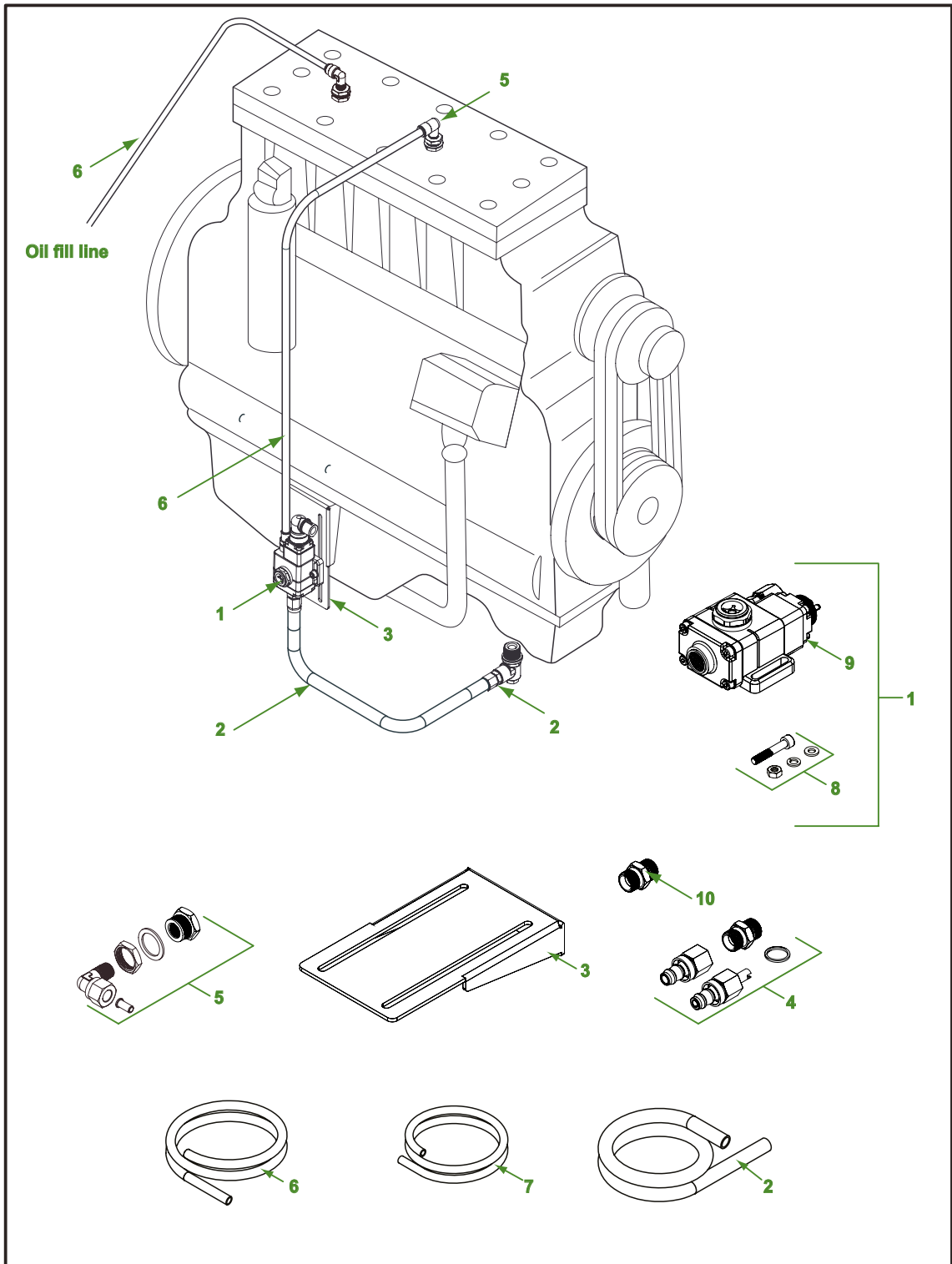
5. OTHER PARTS



Release date: August 2017



YOUR EFFICIENCY IS OUR CHALLENGE

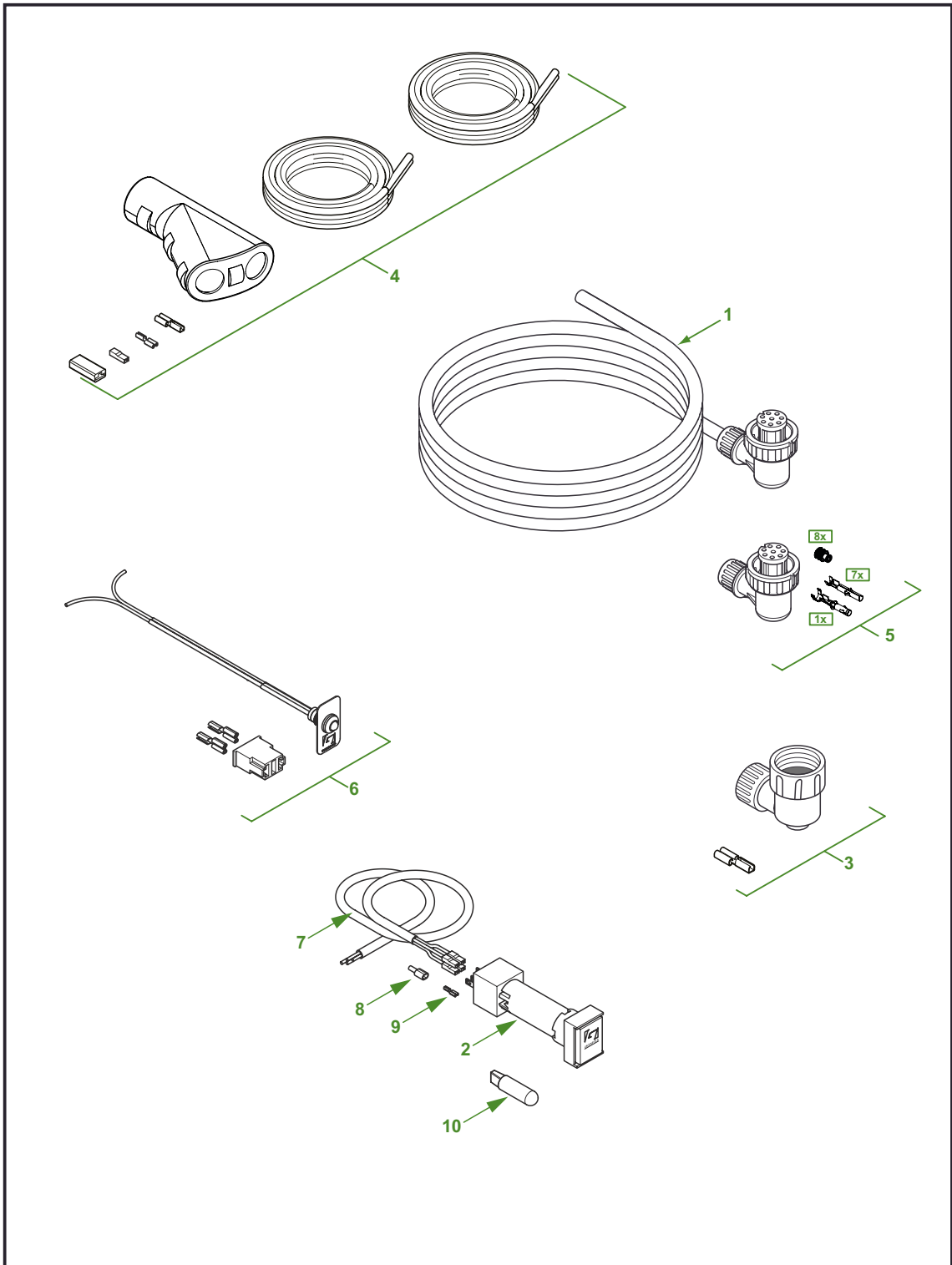


Release date: August 2017

5.1 Oilmaster connection parts

<i>Pos</i>	<i>Part nr.</i>	<i>Description</i>
1	F126765	Sensor kit Oilmaster
2	F112773	Tube SAE-100 3/8" (per meter) (sump to sensor)
	F113140	Tube SAE-100 3/8" standard length 60cm (sump to sensor)
3	F113134	Sump sensor bracket
4	F112783	Coupling kit sump sensor
5	F112740	Installation kit rocker cover
6	F112751	Tube ø10x2mm per (meter) (Oil fill and breather lines)
7	F114412	Tube ø10 transparent (for sensor calibration only)
8	F112786	Oilmaster sensor screw kit
9	F113162	Oilmaster sensor
10	F112777	Coupling M16x1.5 - M16x1.5

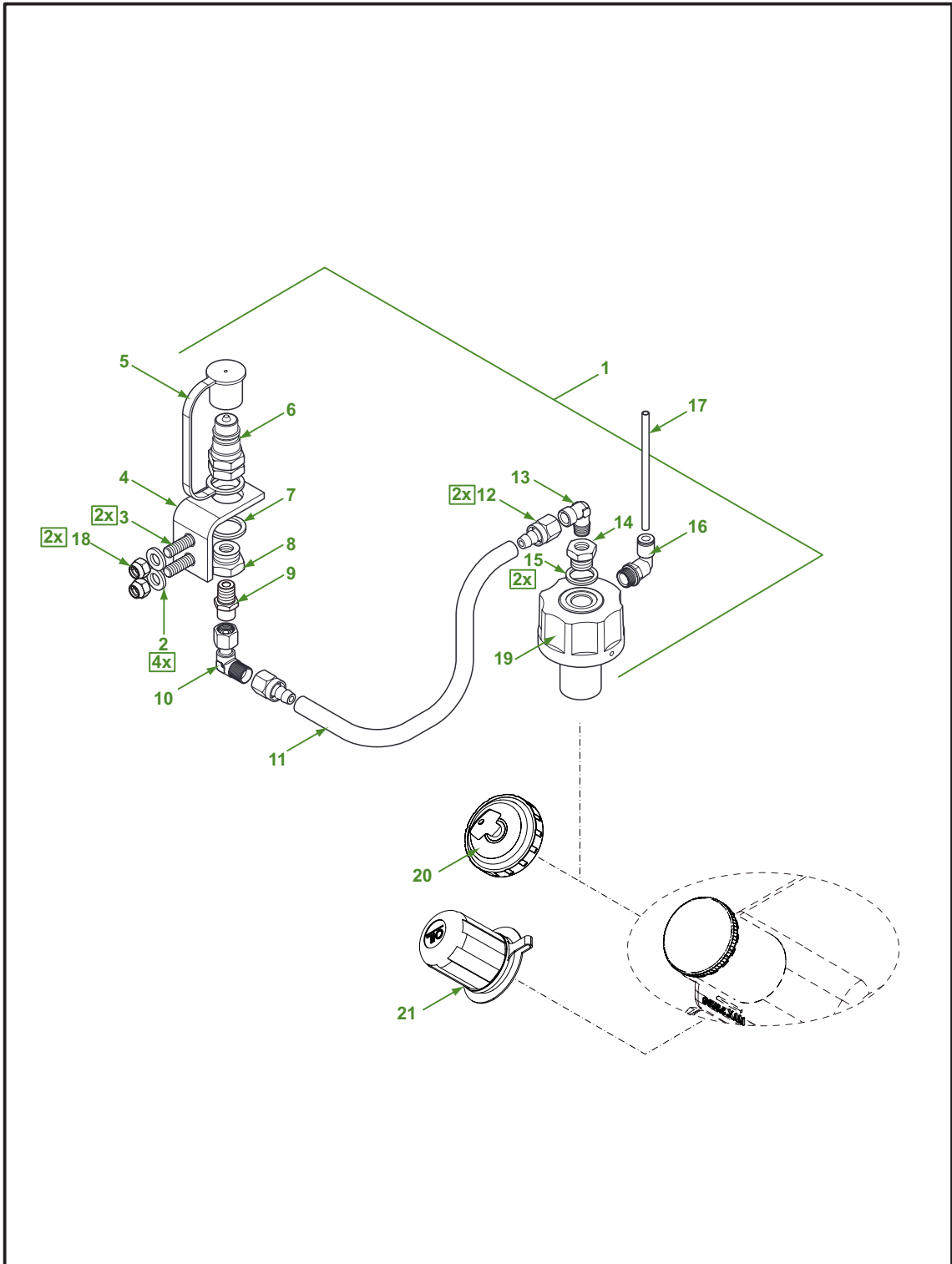
Release date: August 2017



Release date: August 2017

5.2 Oilmaster electrical parts

<i>Pos</i>	<i>Part nr.</i>	<i>Description</i>
1	F113135	Complete cable harness (8 - core) 9 meter
-	F113458	Complete cable harness (8 - core) 15 meter
-	F121848	Complete cable harness (8 - core) 25 meter
2	F112756	Oilmaster test switch 24V
3	F113119	Connector kit 2-core ADR
4	F112782	Electrical kit
5	F121050	Connector kit 8-core
6	F603800	Oilmaster LED installation kit
7	F106633	Cable harness
8	F113015	Connector housing 1P
9	F113014	AMP contact pin 1,5mm ²
10	F112769	Bulb 12 Vdc
	F116127	Bulb 24 Vdc

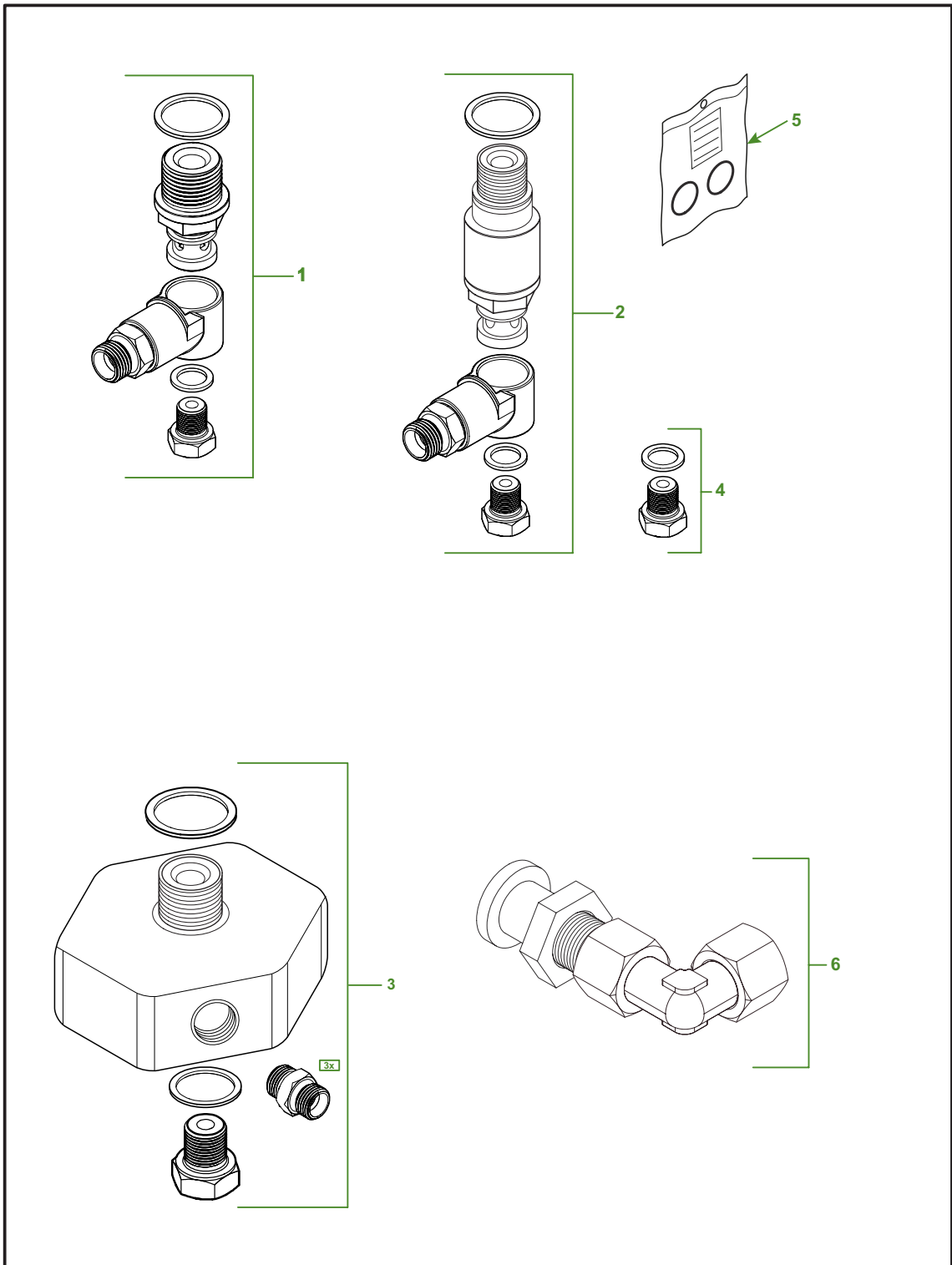


Release date: August 2017

5.3 Oilmaster filler kit & filler caps

<i>Pos</i>	<i>Part nr.</i>	<i>Description</i>
1	F175827	Complete filler kit
2	F104586	Plain washer M8
3	F110878	Hexagonal bolt M8x25
4	F175829	Bracket 90°
5	F119472	Dust plug
6	F175185	Quick action coupling 1/2" male
7	F111590	Copper washer 21.5x28x2
8	F119473	Adapter 1/2" - 1/4" BR
9	F119626	Hexagonal nipple 1/4" - M16x1.5
10	F120522	Adjustable elbow - Pø10 - ø10 ST
11	F112773	Single hose SAE100 R6 3/8" (per meter)
12	F112726	Straight hose coupling 3/8" ø10
13	F104988	Elbow coupling ø10 - 1/4" ST
14	F119629	Adapter 1/4" - 3/8" BR
15	F104436	Sealing ring
16	F116726	Elbow coupling G1/4"x6mm
17	F119625	Tube 6x500
18	F113423	Self locking nut M8
19	F128325	Filler cap external filler kit
20	F126879	Filler cap without lock
-	F113843	Filler cap with lock
-	F127840	Filler cap with lock / master key
	F128218	Filler cap with chain
21	F114189	Protection cap 12L Oilmaster

Release date: August 2017

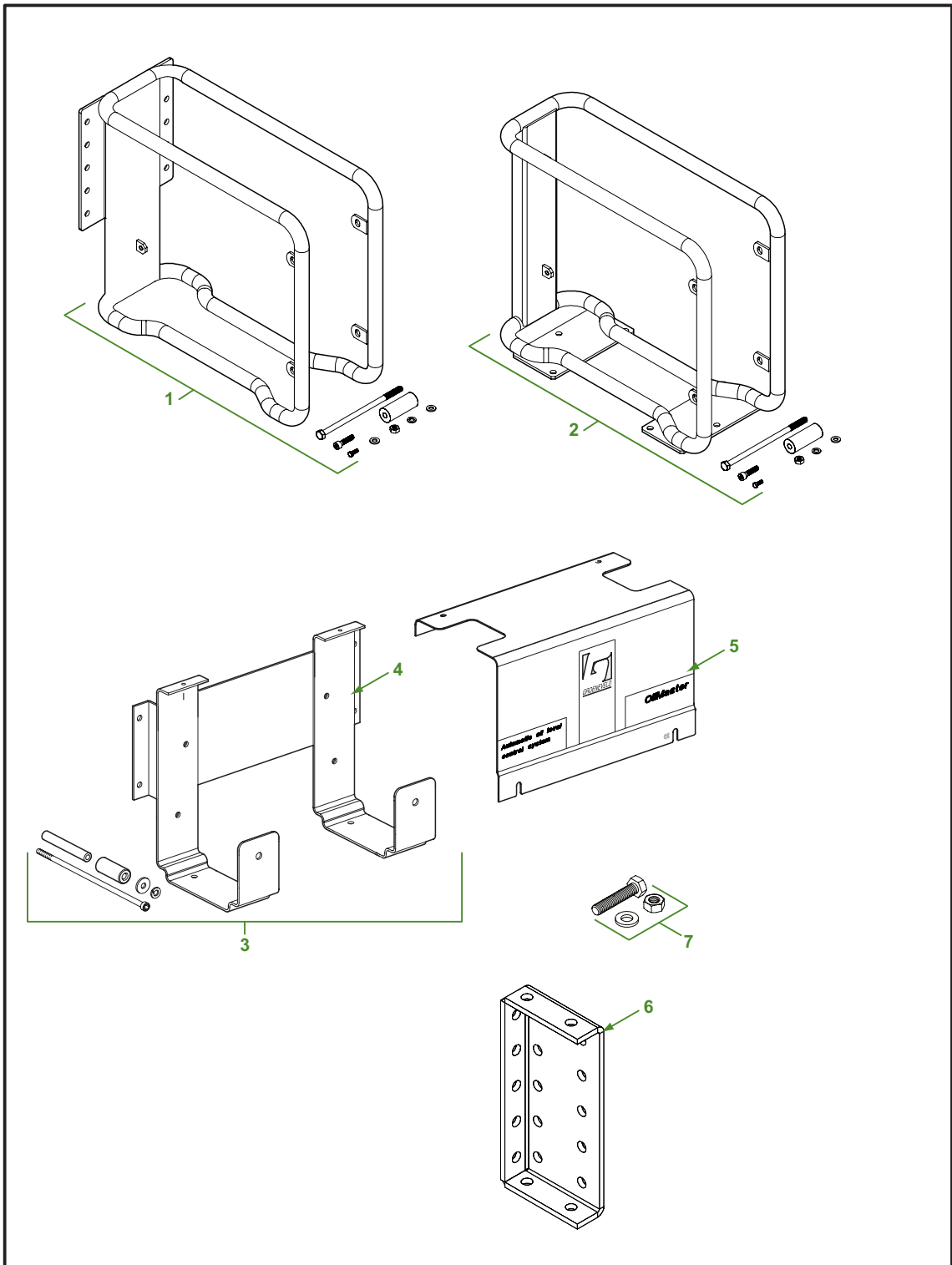


Release date: August 2017

5.4 Oilmaster sump plugs

<i>Pos</i>	<i>Part nr.</i>	<i>Description</i>
1	F116373	M14x1,5
-	F113399	M16x1,5
-	F113540	M18x1,5
-	F112700	M22x1,5
-	F113539	M22x1,5 - 55
-	F112821	M24x1,5 - 49
-	F112822	M24x1,5 - 55
-	F112825	M24x2
-	F112823	M26x1,5
-	F113538	M26x1,5 - 55
-	F113023	3/4" - 16 UNF
-	F113022	1/4" - BSP
-	F170440	1" - 11 1/2" NPTF - 49
2	F214560	M22x1,5-72 Cummins ISB 6.7
-	F602148	M22x15-53 Cummins 4 cyl
3	F602457	M18x1.5 (environment)
-	F601987	M22x1.5 (environment)
-	F602452	M24x1,5 (environment)
-	F602453	M24x2,0 (environment)
-	F602456	M26x1,5 (environment)
4	F113142	Plug M12x1
5	F604625	O-ring repair set for F214560 and F602148
6	F123019	Side sump connector

Release date: August 2017

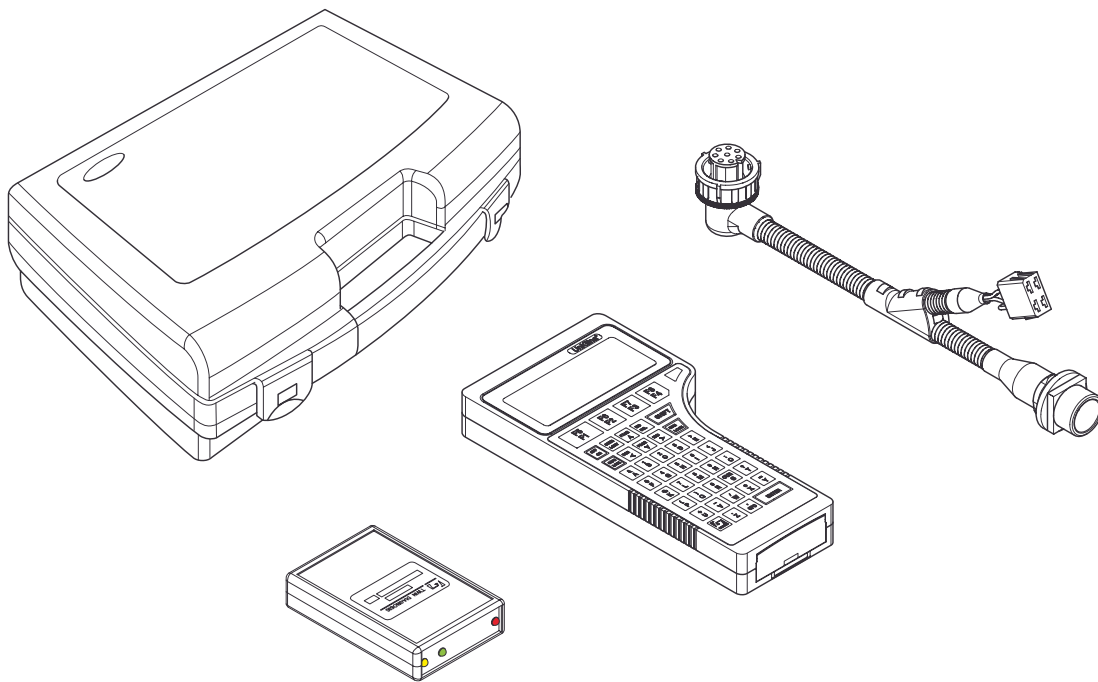


Release date: August 2017

5.5 Oilmaster brackets

<i>Pos</i>	<i>Part nr.</i>	<i>Description</i>
1	F116900	Bracket vertical Oilmaster heavy duty kit 12L
2	F116947	Bracket horizontal Oilmaster heavy duty kit 12L
3	F126761	Bracket Oilmaster 6L kit
4	F118179	Bracket Oilmaster 6L
5	F114555	Cover Oilmaster 6L bracket
6	F130191	Oilmaster heavy duty bracket 15L
7	F116069	Oilmaster bracket bolt kit
	F113435	Hex bolt M8x40-ST (4x)
	F104586	Plain washer M8-ST (8x)
	F116046	Nut M8 Din 980M-ST (4x)

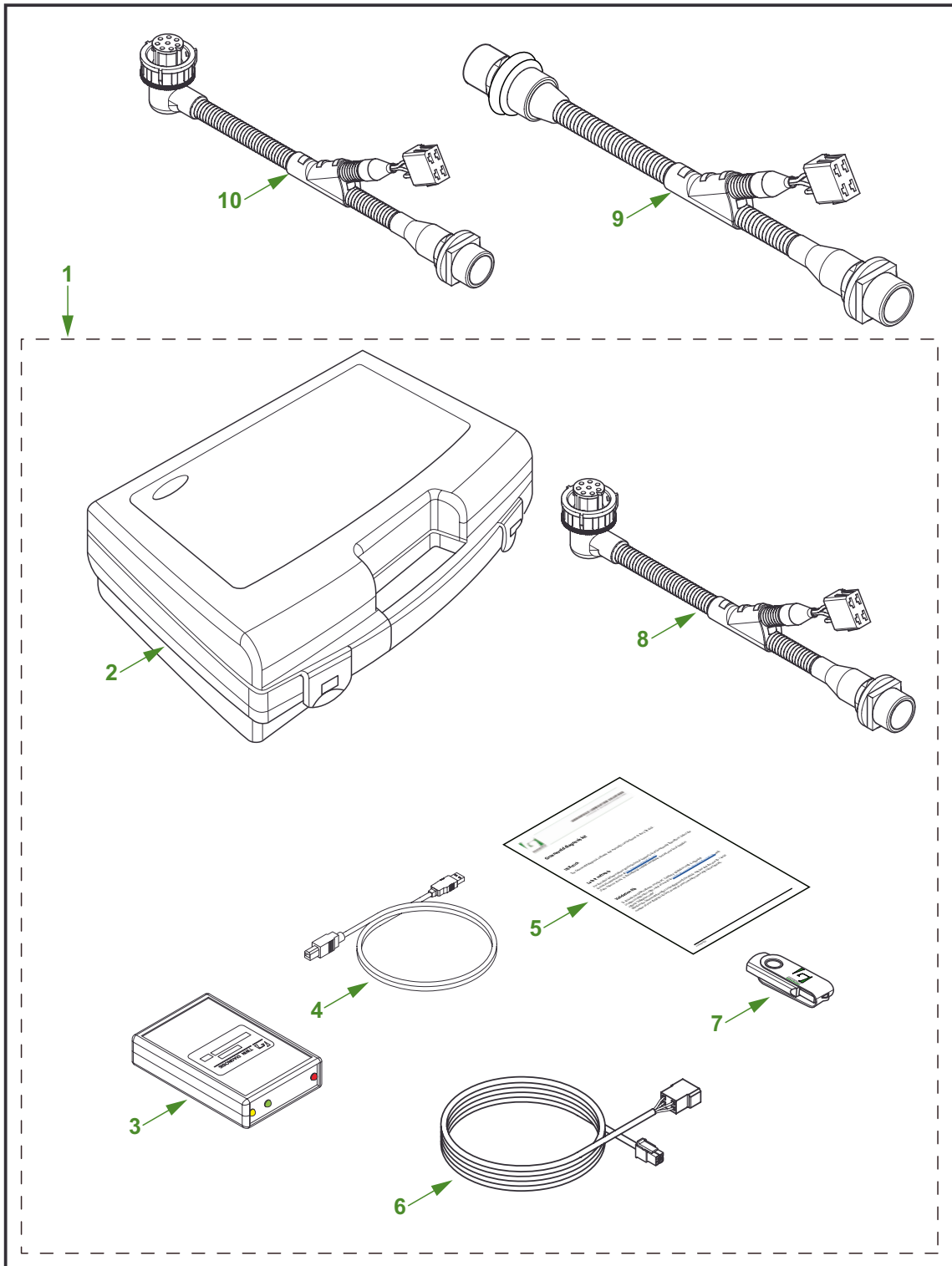
6. DIAGNOSTIC TOOLS



Release date: August 2017



YOUR EFFICIENCY IS OUR CHALLENGE

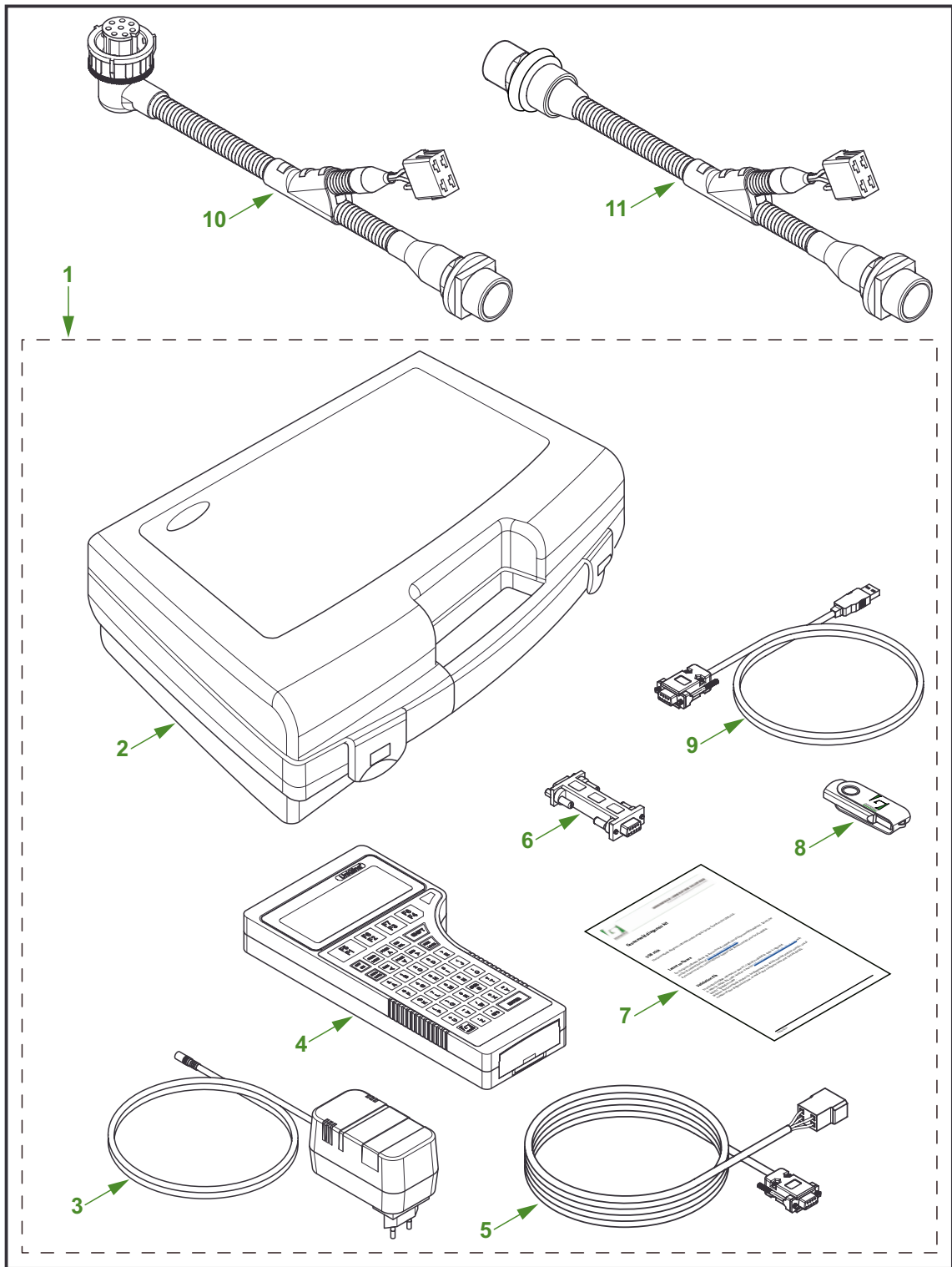


Release date: August 2017

6.1 Oilmaster-2 PC-GINA diagnostic kit

<i>Pos</i>	<i>Part nr.</i>	<i>Description</i>
1	F606036	PC-GINA kit Oilmaster-2
2	F121605	Diagnosis case
3	F124299	Diagnosis interface
4	F124309	USB cable
5	F603607	Diagnostic kit instruction
6	F124311	Data cable PC-GINA
7	F606037	USB Oilmaster PC-GINA
8	F113110	Y-cable Oilmaster
10	F125982	Y-cable Oilmaster external command
11	F125983	Y-cable Oilmaster Mercedes Benz
-	F603664	Validation code PC-GINA Oilmaster-2

PC-Gina only compatible with Oilmaster-2 from SW 1.19



Release date: August 2017

6.2 Oilmaster UniGINA diagnostic kit

<i>Pos</i>	<i>Part nr.</i>	<i>Description</i>
1	F121604	UniGINA kit
2	F121605	Diagnosis case
3	F120537/1	Power supply UniGINA
4	F178644	UniGINA
5	F121401	Data cable
6	F205694	Converter RS232
7	F603607	Diagnosis kit instruction
8	F603602	USB UniGINA
9	F127437	PC-UniGINA cable
10	F113110	Y-cable Oilmaster/TriPlus-2
	F125982	Y-cable Oilmaster external command
11	F125983	Y-cable Oilmaster Mercedes Benz
-	F212314	Validation code Uni-GINA Oilmaster 1/2

UniGina compatible with both Oilmaster-1 and Oilmaster-2

7. INDEX

F001074	19	F114695	13
F104436	35	F114757	7
F104586	35, 39	F114758	7
F104988	35	F114833	7
F106633	33	F114834	7
F110878	35	F115137	13
F111590	35	F115488	25, 27
F112661	19	F115489	27
F112700	37	F115495	27
F112726	35	F115496	17, 25
F112740	31	F115836	27
F112751	31	F115837	27
F112756	33	F115838	25, 27
F112769	33	F116046	39
F112773	31, 35	F116069	39
F112777	31	F116127	33
F112782	33	F116373	37
F112783	31	F116547	7
F112785	7	F116561	27
F112786	31	F116562	27
F112821	37	F116726	13, 35
F112822	37	F116801	11
F112823	37	F116871	11
F112825	37	F116872	11
F112925	25, 27	F116900	39
F113014	33	F116909	13, 21
F113015	33	F116910	13, 21
F113022	37	F116947	39
F113023	37	F117132	19
F113110	43, 45	F117136	17
F113119	33	F117235	17
F113134	31	F117236	17
F113135	33	F117238	13, 17, 21
F113139	11	F117258	11
F113140	31	F117702	27
F113141	11	F117798	27
F113142	37	F118030	13
F113144	25, 27	F118179	13, 39
F113148	11	F119472	35
F113149	11	F119473	35
F113150	11	F119625	35
F113162	31	F119626	35
F113188	7	F119629	35
F113399	37	F119800	21
F113423	35	F119875	25, 27
F113435	39	F120522	35
F113458	33	F120537/1	45
F113538	37	F120850	17, 19, 25, 27
F113539	37	F121050	33
F113540	37	F121401	45
F113655	13	F121604	45
F113843	11, 13, 19, 35	F121605	43, 45
F114151	11	F121697	7
F114189	35	F121698	17
F114412	31	F121817	17
F114555	13, 39	F121835	13

Release date: August 2017

F121848	33	F175827	35
F123019	37	F175829	35
F124299	43	F178644	45
F124309	43	F205694	45
F124311	43	F210800	11
F125982	43, 45	F212314	45
F125983	43, 45	F214560	37
F126743	27	F601207	25, 27
F126744	27	F601564	25
F126745	25, 27	F601565	25
F126747	13	F601606	25
F126754	11	F601607	25
F126755	11	F601843	25
F126758	17	F601913	25
F126759	25	F601987	37
F126760	25	F602148	37
F126761	39	F602452	37
F126762	11	F602453	37
F126765	31	F602456	37
F126766	11	F602457	37
F126879	11, 13, 19, 35	F603602	45
F127437	45	F603607	43, 45
F127543	19	F603664	43
F127546	25, 27	F603800	33
F127550	19	F604625	37
F127551	19	F606036	43
F127558	19	F606037	43
F127840	11, 13, 19, 35		
F128191	19		
F128218	11, 13, 19, 35		
F128325	35		
F129062	25		
F129064	25		
F129348	17		
F129666	19, 25, 27		
F130069	19		
F130191	39		
F130209	7		
F130547	17		
F131148	25		
F131149	25		
F131550	25		
F131554	25		
F131632	19		
F170440	37		
F170520	11		
F172837	21		
F173053	27		
F173054	27		
F173055	7		
F173079	7		
F173081	11		
F173086	11		
F173087	13		
F173398	21		
F173407	21		
F173461	21		
F175185	35		

Release date: August 2017



Bruneggerstrasse 45, 5103 Möriken,
 Telefon 062-893 24 24, Telefax 062-893 37 05
 info@luginbuehl-ag.ch, www.luginbuehl-ag.ch