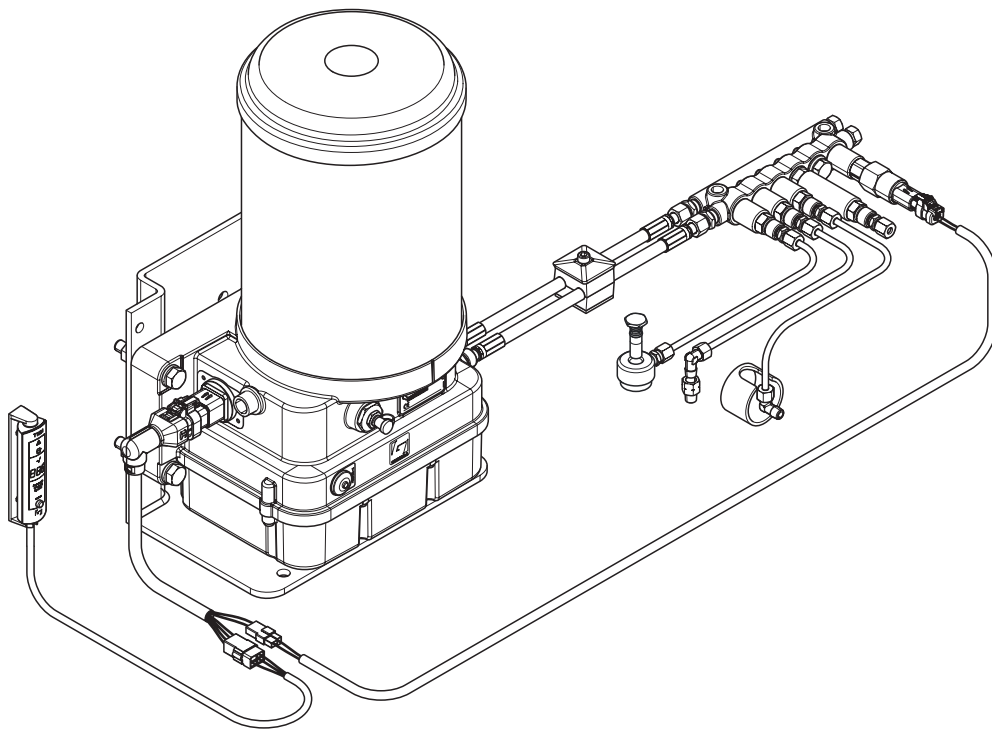


Parts Manual



Automatic TWIN-3.1 Greasing System

F218561R04



YOUR EFFICIENCY IS OUR CHALLENGE



All rights reserved. No part of this manual may be copied and/or published by means of printing, photocopying, microfilm or by any other means without prior written permission from Groeneveld. This applies also to the drawings and diagrams appended.

Groeneveld reserves the right to change parts at any time, without prior or direct notice to the customer. The contents of this manual may also be changed without prior notice.

This manual applies to the standard version of the product. Groeneveld cannot accept liability for any damage arising from the use of specifications other than that supplied.

You are requested to contact Groeneveld technical service for information concerning adjustment, maintenance work or repairs that is not described in this manual.

Whilst this manual has been prepared with the greatest possible care Groeneveld cannot accept responsibility for any errors of the consequences of such errors.

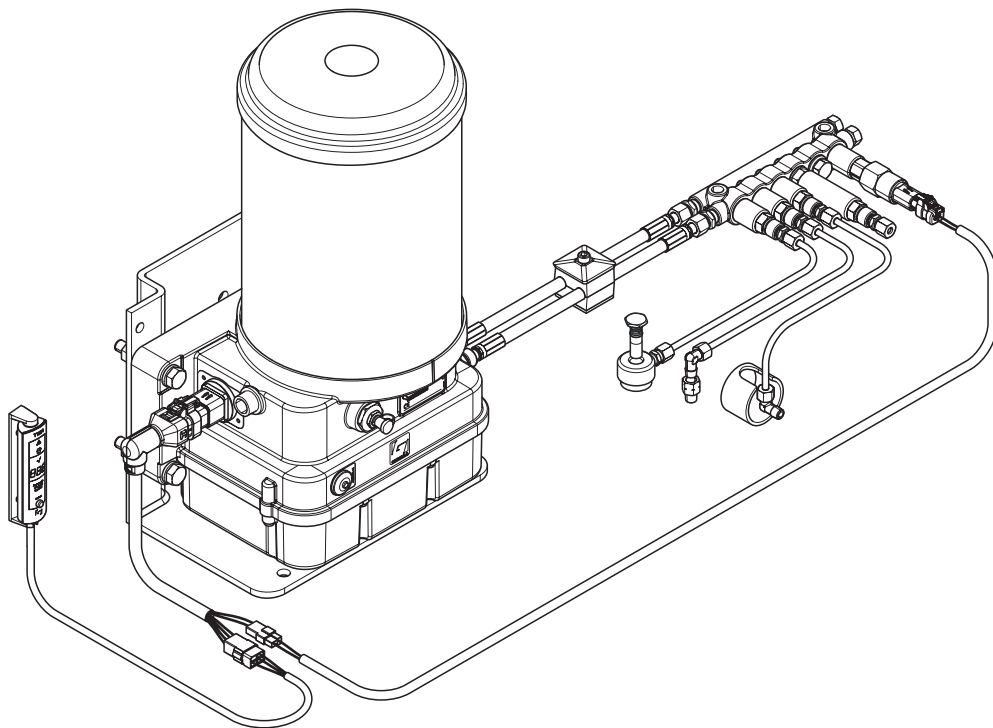
TABLE OF CONTENTS

1. PUMPS.....	5
1.1 Twin-3.1 pumps 3 - 6 litres	7
1.2 Twin-3.1 pumps 8 litres	9
1.3 Twin-3.1 pump unit	11
1.4 Twin-3.1 Quick filler options	13
1.5 Twin-3 refillable barrel pumps 20 litres	15
1.6 Twin-3 refillable barrel pumps 40 litres	17
1.7 Twin-3 barrel pumps 18 - 200 litres	19
1.8 Twin-3 devices	21
1.9 Twin-3 device installation kit	23
2. ELECTRICAL PARTS	25
2.1 Twin-3.1 electrical parts	27
3. DISTRIBUTION BLOCKS	29
3.1 Industrial distribution blocks	31
3.2 Transport distribution blocks	33
3.3 Welding plates for industrial distribution blocks	34
3.4 Special brackets	35
3.5 Shut-off plugs & reduction adapters	35
3.6 Metering units 1/8"NPT	36
3.7 Male stud couplings for metering units ø1/8"NPT	37
3.8 Pressure switch block	37
3.9 Pressure switches	38
3.10 O-ring kit	38
4. DIAGNOSTIC TOOLS	39
4.1 Twin PC-GINA kit	41
5. INDEX	42

Automatic Twin-3.1 Greasing System

Release date: April 2020

1. PUMPS



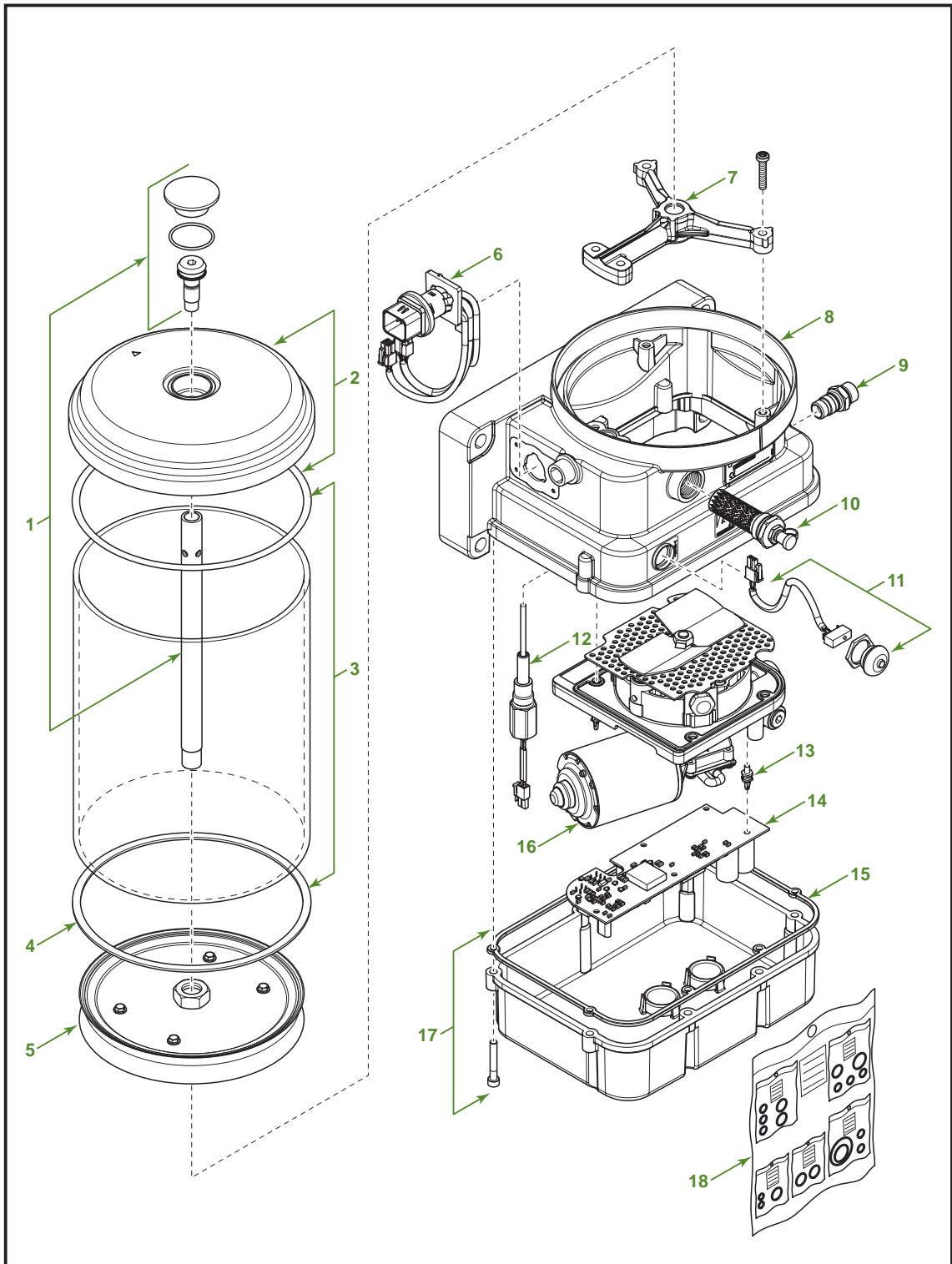
Release date: April 2020



GROENEVELD
LUBRICATION SOLUTIONS
BY TIMKEN

YOUR EFFICIENCY IS OUR CHALLENGE

Automatic Twin-3.1 Greasing System



Release date: April 2020

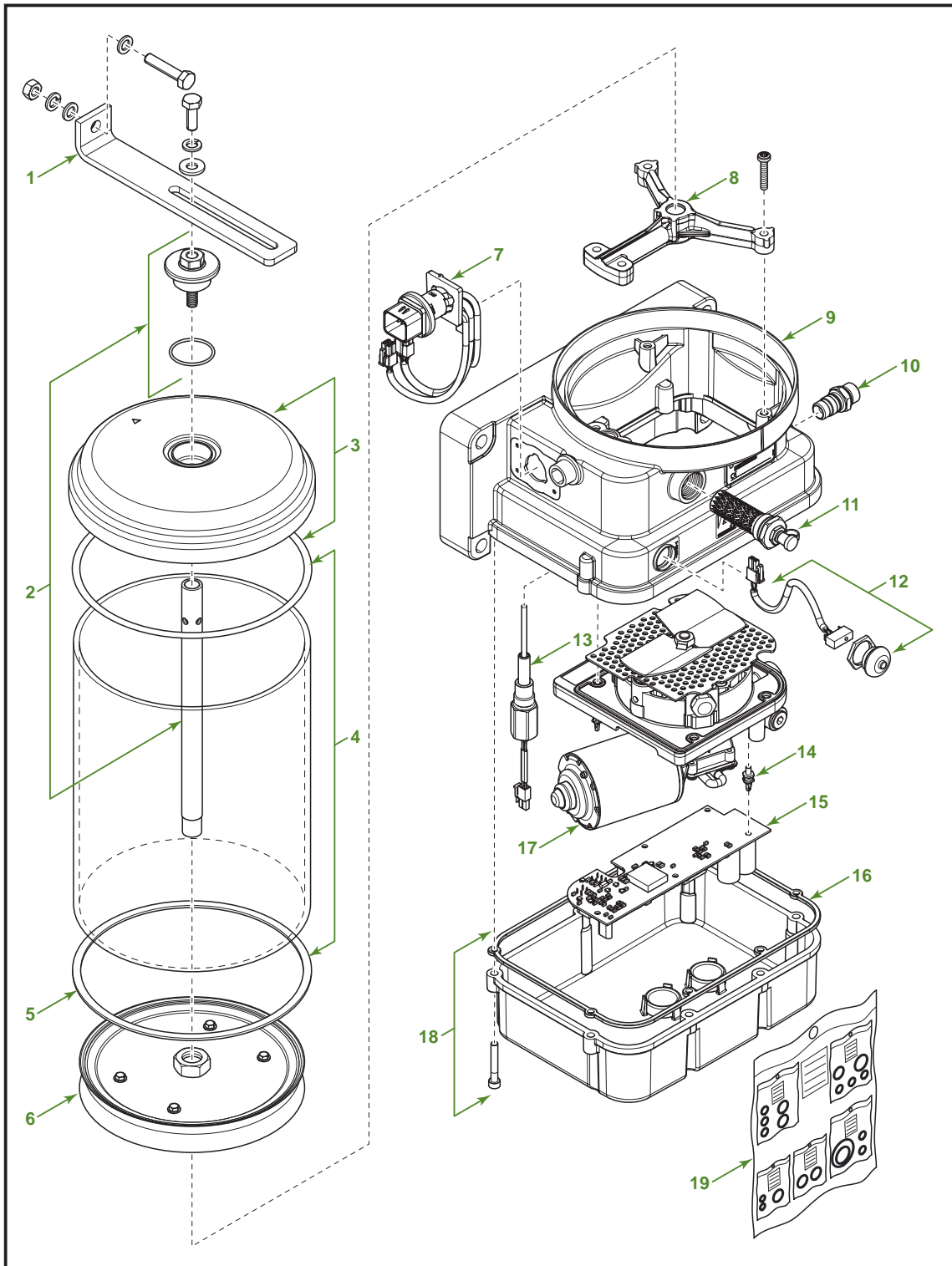
1.1 Twin-3.1 pumps 3 - 6 litres

Part number	Supply voltage	Capacity reservoir	Grease pre-filled	CAN-bus version	Stainless steel	Outlet type
F617400	12 Vdc	3 litres	yes	no	no	10mm
F606253	24 Vdc	3 litres	yes	no	no	10mm
F617404	12 Vdc	4 litres	yes	no	no	10mm
F604662	24 Vdc	4 litres	yes	no	no	10mm
F617403	12 Vdc	4 Litres	yes	no	yes	10mm
F617401	24 Vdc	4 litres	yes	no	yes	10mm
F617402	24 Vdc	4 litres	no	no	no	10mm
F617408	24 Vdc	4 litres	yes	yes	no	10mm
F618308	24 Vdc	4 litres	yes	yes (R)	no	10mm
F618311	24 Vdc	4 litres	yes	yes (R)	yes	10mm
F617409	24 Vdc	4 litres	no	yes	no	10mm
F617410	12 Vdc	6 litres	yes	no	no	10mm
F605337	24 Vdc	6 litres	yes	no	no	10mm
F617406	24 Vdc	6 litres	yes	yes	no	10mm
F617407	24 Vdc	6 litres	no	no	no	10mm
F617411	12 Vdc	6 litres	yes	no	yes	10mm
F617405	24 Vdc	6 litres	yes	no	yes	10mm

Pos.	Part number	Description	Pos.	Part number	Description
1	F617290	Shaft kit 3 litres reservoir	9	F604829	Outlet M16x1.5
	F617291	Shaft kit 4 litres reservoir		F617959	Outlet M16x1.5-SS
	F617292	Shaft kit 6 litres reservoir		F617936	Outlet M18x1.5
2	F605724	Cover + O-ring		F651112	Outlet 1/4" I.D.
3	F617294	Reservoir kit 3 litres		F606356	Comp. M14x1.5-9/16 JIC37
	F617295	Reservoir kit 4 litres	10	F617298	Grease filter kit
	F617296	Reservoir kit 6 litres	11	F170210	Test switch kit
4	F606550	O-ring	12	F605280	Low level switch
5	F692897	Follower plate	13	F111296	Timer clip
6	F601785	Cable harness kit	14	F126376	Timer 12 - 24 Vdc
	F601786	Cable harness kit for CAN	15	F604611	Gasket cover
	F126711	Cable harness kit for CAN-R	16	F604600	Pump unit 24 Vdc
7	F617471	Reservoir Y-support kit		F606930	Pump unit 12 Vdc
8	F604728	Pump body	17	F617299	Bottom cover kit
			18	F617301	Sealing kit

Release date: April 2020

Automatic Twin-3.1 Greasing System



Release date: April 2020

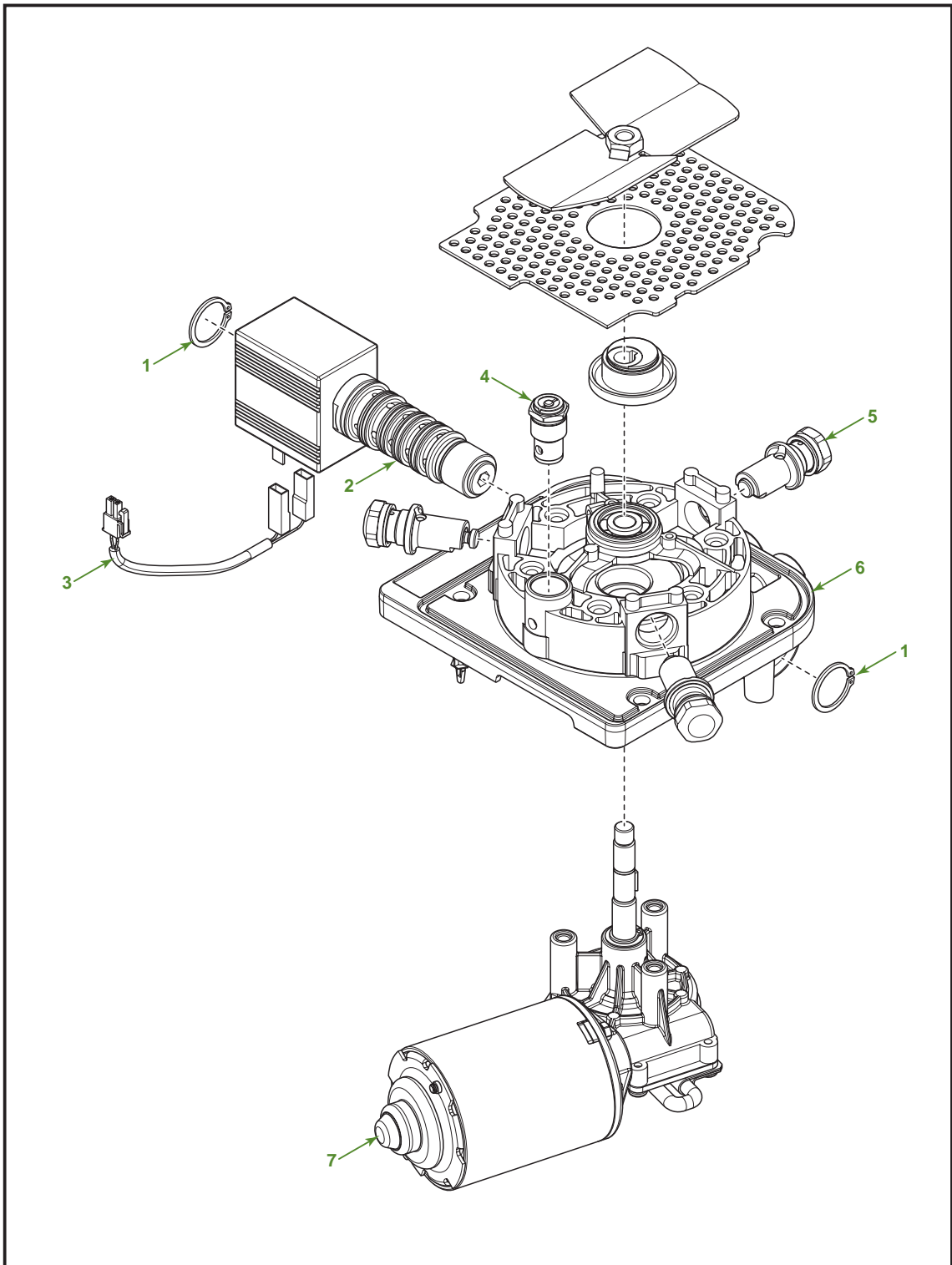
1.2 Twin-3.1 pumps 8 litres

Part number	Supply voltage	Capacity reservoir	Grease pre-filled	CAN-bus version	Stainless steel	Outlet type
F617417	12 Vdc	8 litres	yes	no	no	10mm
F605338	24 Vdc	8 litres	yes	no	no	10mm
F617414	24 Vdc	8 litres	yes	yes	no	10mm
F618309	24 Vdc	8 litres	yes	yes (R)	no	10mm
F618310	24 Vdc	8 litres	yes	yes (R)	yes	10mm
F617412	24 Vdc	8 litres	yes	no	yes	10mm
F617413	24 Vdc	8 litres	no	no	no	10mm

Pos.	Part number	Description	Pos.	Part number	Description
1	F116961	Top bracket kit		F617959	Outlet M16x1.5-SS
	F606893	Top bracket kit stainless steel		F617936	Outlet M18x1.5
2	F617293	Shaft kit 8 litres reservoir		F651112	Outlet 1/4" I.D.
3	F605724	Cover + O-ring		F606356	Comp. M14x1.5-9/16 JIC37
4	F617297	Reservoir kit 8 litres	11	F617298	Grease filter kit
5	F606550	O-ring	12	F170210	Test switch kit
6	F692897	Follower plate	13	F605280	Low level switch
7	F601785	Cable harness kit	14	F111296	Timer clip
	F601786	Cable harness kit for CAN	15	F126376	Timer 12 - 24 Vdc
	F126711	Cable harness kit for CAN-R	16	F604611	Gasket cover
8	F617471	Reservoir Y-support kit	17	F604600	Pump unit 24 Vdc
9	F604728	Pump body		F606930	Pump unit 12 Vdc
10	F604829	Outlet M16x1.5	18	F617299	Bottom cover kit
			19	F617301	Sealing kit

Release date: April 2020

Automatic Twin-3.1 Greasing System



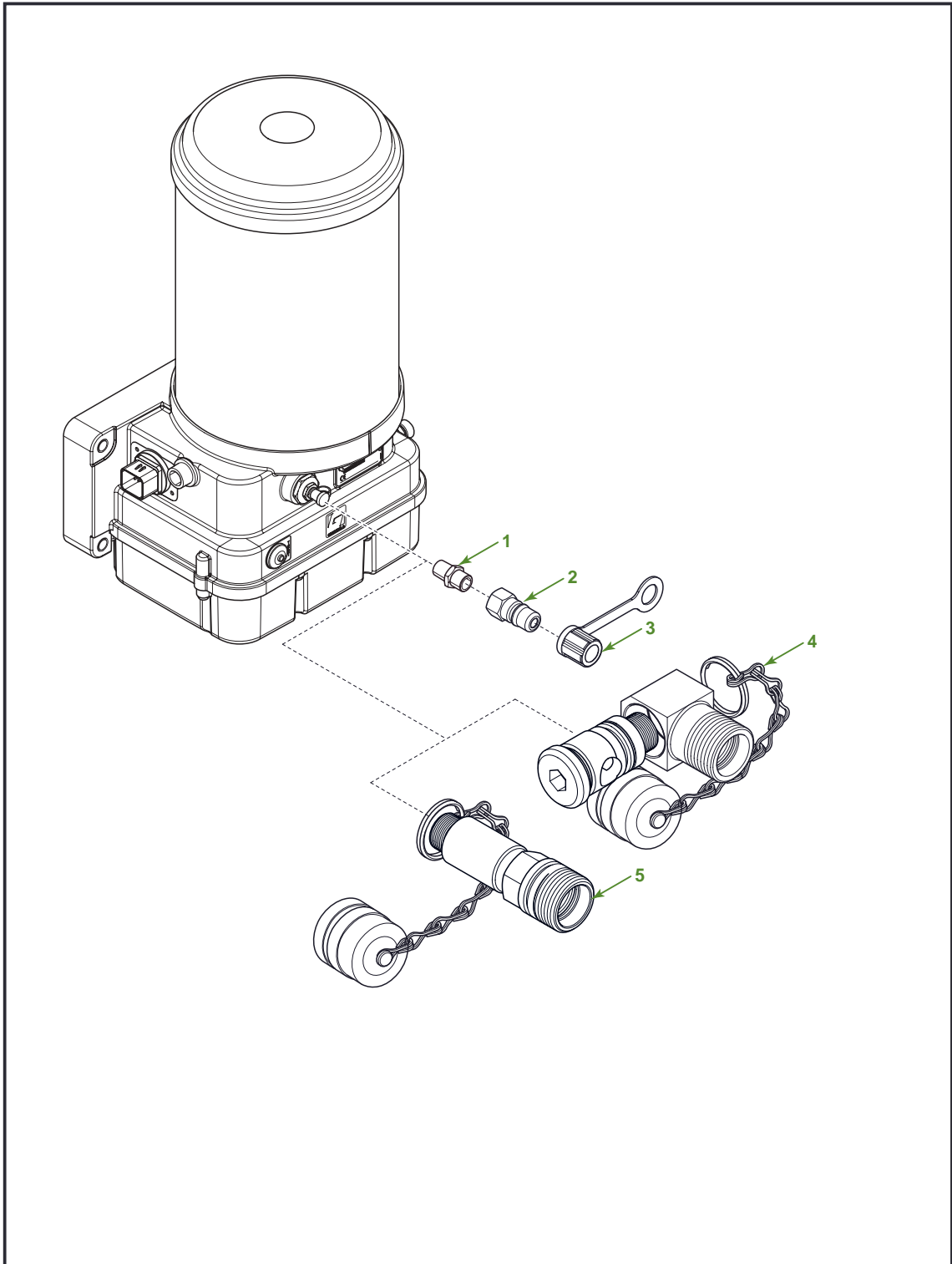
Release date: April 2020

1.3 Twin-3.1 pump unit

<i>Pos.</i>	<i>Part number</i>	<i>Description</i>	<i>Pos.</i>	<i>Part number</i>	<i>Description</i>
1	F112869	Cir clip set 5/2 valve	5	F114923	Piston complete
2	F170213	Valve 5/2 way 24 Vdc kit	6	F125951	Gasket pump body
	F170212	Valve 5/2 way 12 Vdc kit	7	F115535	Motor 12 Vdc
3	F111037	Cable harness valve		F115536	Motor 24 Vdc
4	F114230	Pressure release valve 250 bar			

Release date: April 2020

Automatic Twin-3.1 Greasing System



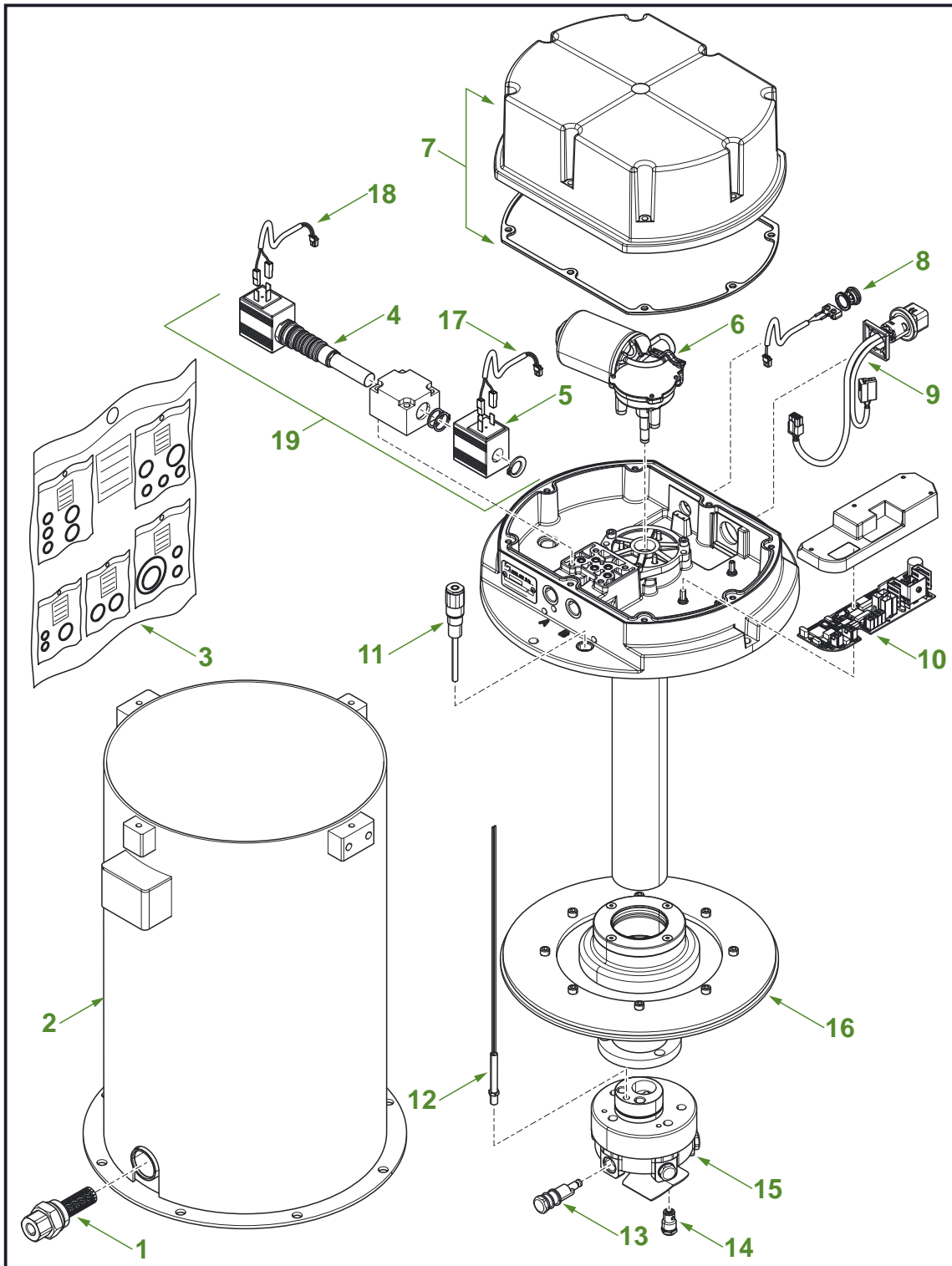
Release date: April 2020

1.4 Twin-3.1 Quick filler options

<i>Pos.</i>	<i>Part number</i>	<i>Description</i>	<i>Material</i>
1	F104546	Adapter R1/4" - R1/4"	steel
2	F100056	Quick connector G1/4" with bullet (male)	steel
	F100359	Quick connector G1/4" without bullet (male)	steel
	F606061	Quick connector G1/4 without bullet (male)	inox
3	F100258	Dust cap	rubber
4	F606511	Elbow filler coupling kit	steel
5	F617553	Straight filler coupling kit	steel

Release date: April 2020

Automatic Twin-3.1 Greasing System



Release date: April 2020

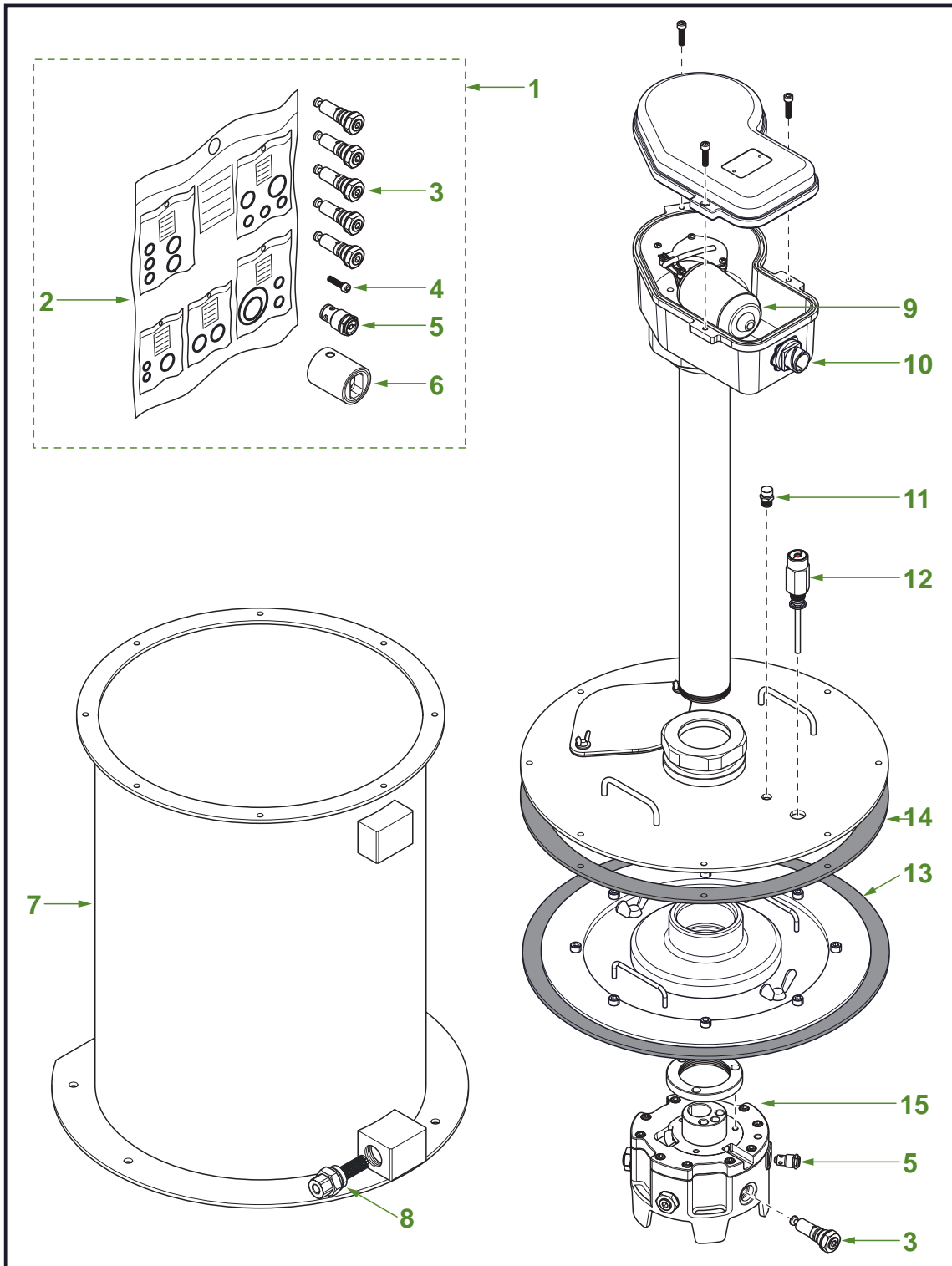
1.5 Twin-3 refillable barrel pumps 20 litres

<i>Part number</i>	<i>Supply voltage</i>	<i>Capacity reservoir</i>	<i>Grease delivery</i>	<i>Maximum pressure</i>
F126630	24 Vdc	20 litres	20 cc / min.	250 bar

<i>Pos.</i>	<i>Part number</i>	<i>Description</i>	<i>Pos.</i>	<i>Part number</i>	<i>Description</i>
1	F126439	Grease filter kit	11	F126634	Maximum level indicator
2	F126688	Grease drum 20 litres	12	F127086	Low level switch
3	F210491	Sealing kit	13	F114923	Piston kit
4	F126642	5/2-way valve	14	F114230	Pressure release valve
5	F210492	Magnet coil 24 Vdc	15	F126635	Pump unit
6	F126649	Motor 24 Vdc	16	F128873	Follower plate
7	F210494	Cover kit	17	F111037	5/2-way valve harness A
8	F210493	Test button kit	18	F127355	5/2-way valve harness B
9	F601785	Cable harness	19	F131004	5/2-way valve complete
10	F126376	Timer 12 /24 Vdc			

Release date: April 2020

Automatic Twin-3.1 Greasing System



Release date: April 2020

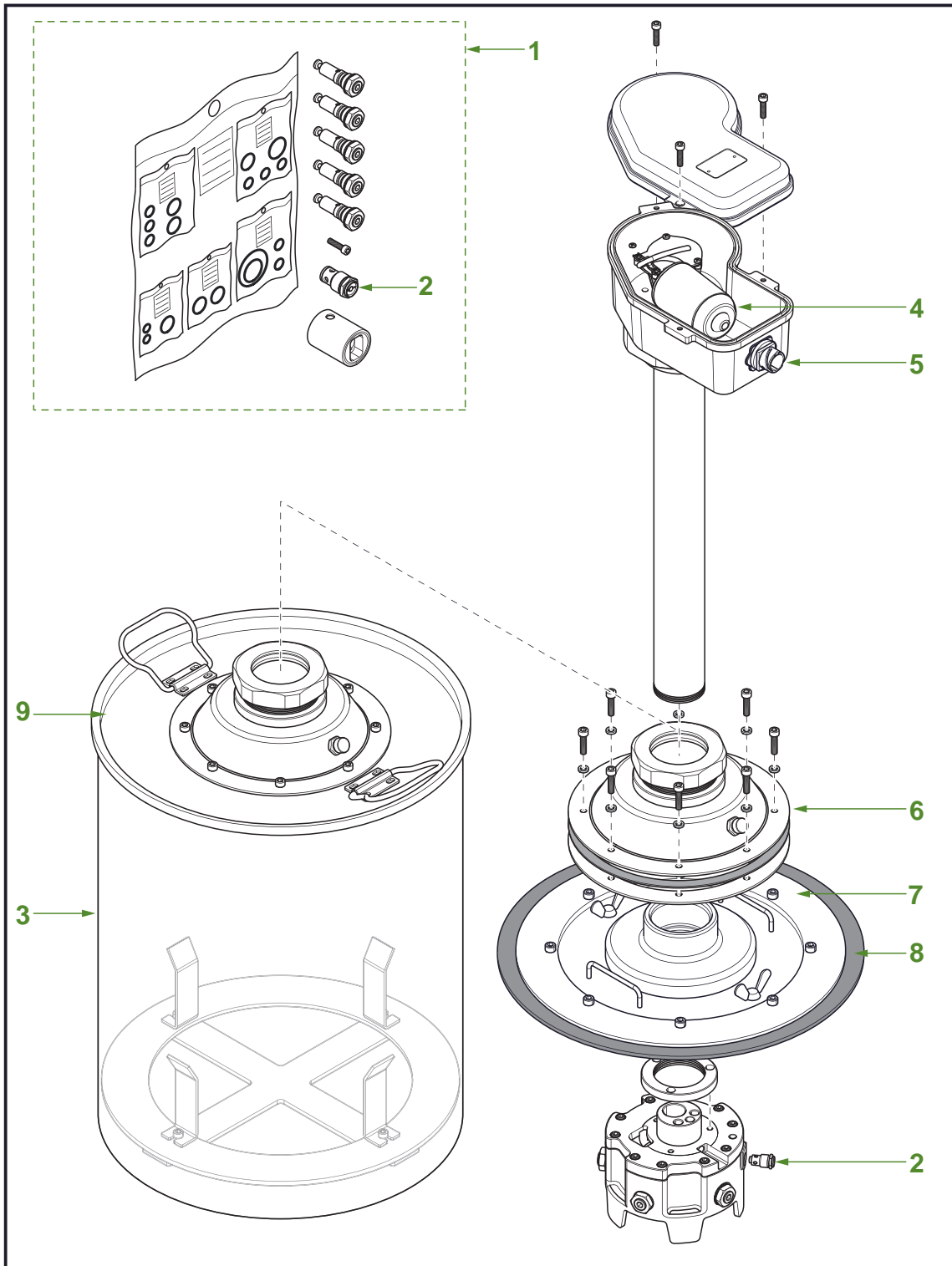
1.6 Twin-3 refillable barrel pumps 40 litres

<i>Part number</i>	<i>Supply voltage</i>	<i>Capacity reservoir</i>	<i>Grease delivery</i>	<i>Maximum pressure</i>
F119656	24 Vdc	40 litres	60 cc / min.	250 bar

<i>Pos.</i>	<i>Part number</i>	<i>Description</i>	<i>Pos.</i>	<i>Part number</i>	<i>Description</i>
1	F202360	Repair kit	9	F121391	Motor 24 Vdc
2	F202361	O-ring	10	F179811	Connector kit
3	F177843	Piston	11	F119125	Breather kit
4	F118378	Screw M6x6	12	F120619	Maximum level indicator
5	F114230	Pressure release valve	13	F129027	Follower plate
6	F119494	Motor coupling	14	F120335	Gasket cover
7	F120320	Refilling drum 40 litres	15	F118898	Reed switch low level
8	F126439	Grease filter kit			

Release date: April 2020

Automatic Twin-3.1 Greasing System



Release date: April 2020

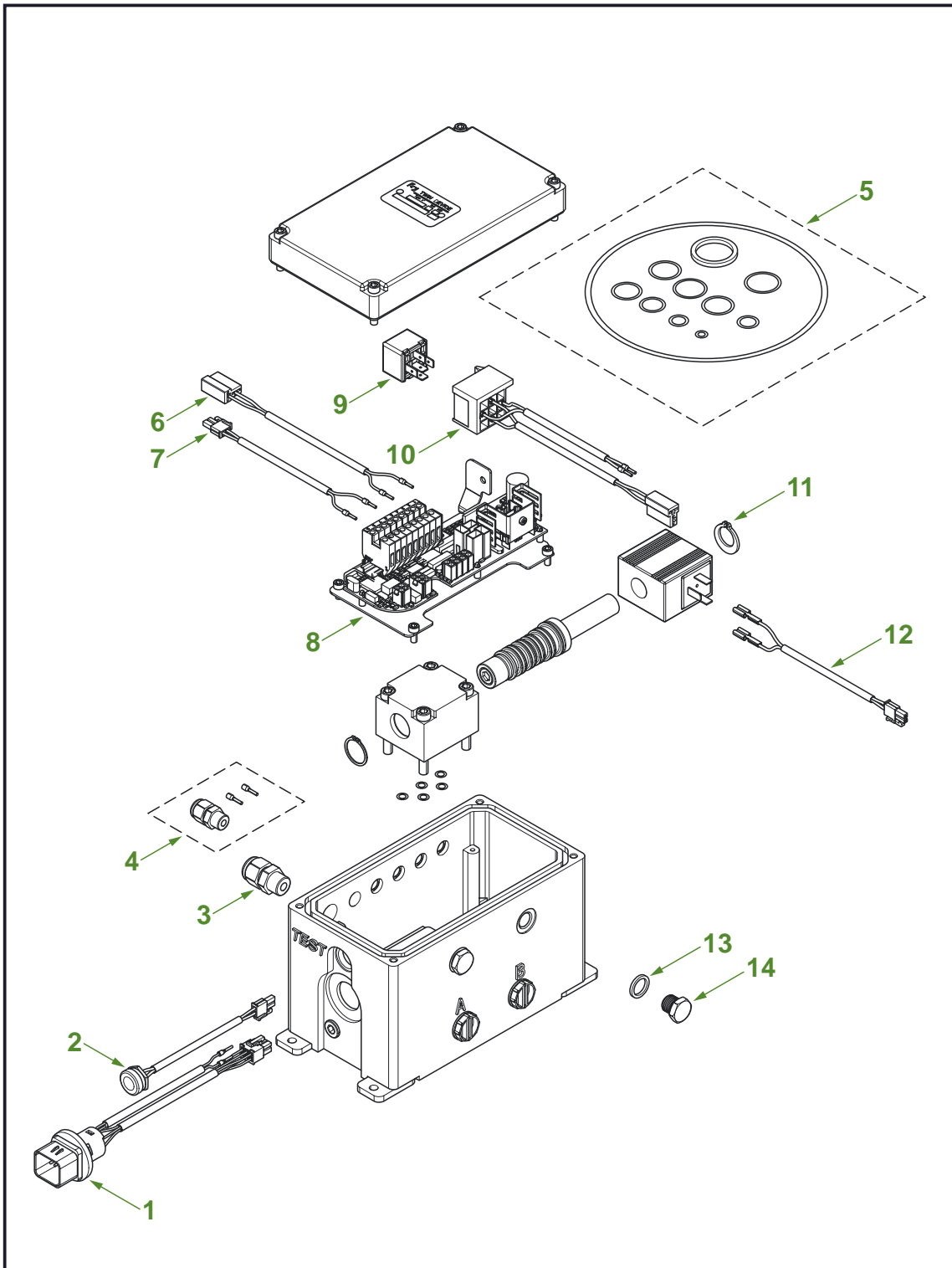
1.7 Twin-3 barrel pumps 18 - 200 litres

<i>Part number</i>	<i>Supply voltage</i>	<i>Barrel height</i>	<i>Total height</i>	<i>Grease delivery</i>	<i>Maximum pressure</i>
F117930	24 Vdc	500mm/19.7"	800mm/31.5"	60 cc / min.	250 bar
F119988	24 Vdc	600mm/23.6"	900mm/35.5"	60 cc / min.	250 bar
F119592	24 Vdc	700mm/27.6"	1000mm/39.4"	60 cc / min.	250 bar
F119890	24 Vdc	800mm / 31.5"	1100mm/43.3"	60 cc / min.	250 bar
F119891	24 Vdc	900mm / 35.5"	1200mm/47.3"	60 cc / min.	250 bar

<i>Pos.</i>	<i>Part number</i>	<i>Description</i>	<i>Pos.</i>	<i>Part number</i>	<i>Description</i>
1	F202360	Repair kit		F119588	Follower plate 370-376mm
2	F114230	Pressure release valve		F120538	Follower plate 572-578mm
3	F119425	Pail 15 - 25 litres	8	F119407	Gasket 282-288mm
4	F121391	Motor 24 Vdc		F119584	Gasket 255-361mm
5	F179811	Connector kit		F119583	Gasket 370-376mm
6	F119593	Cover flange kit		F120541	Gasket 572-578mm
7	F119586	Follower plate 282-288mm	9	F124139	Drum cover 60 litres
	F119587	Follower plate 255-361mm			

Release date: April 2020

Automatic Twin-3.1 Greasing System



Release date: April 2020

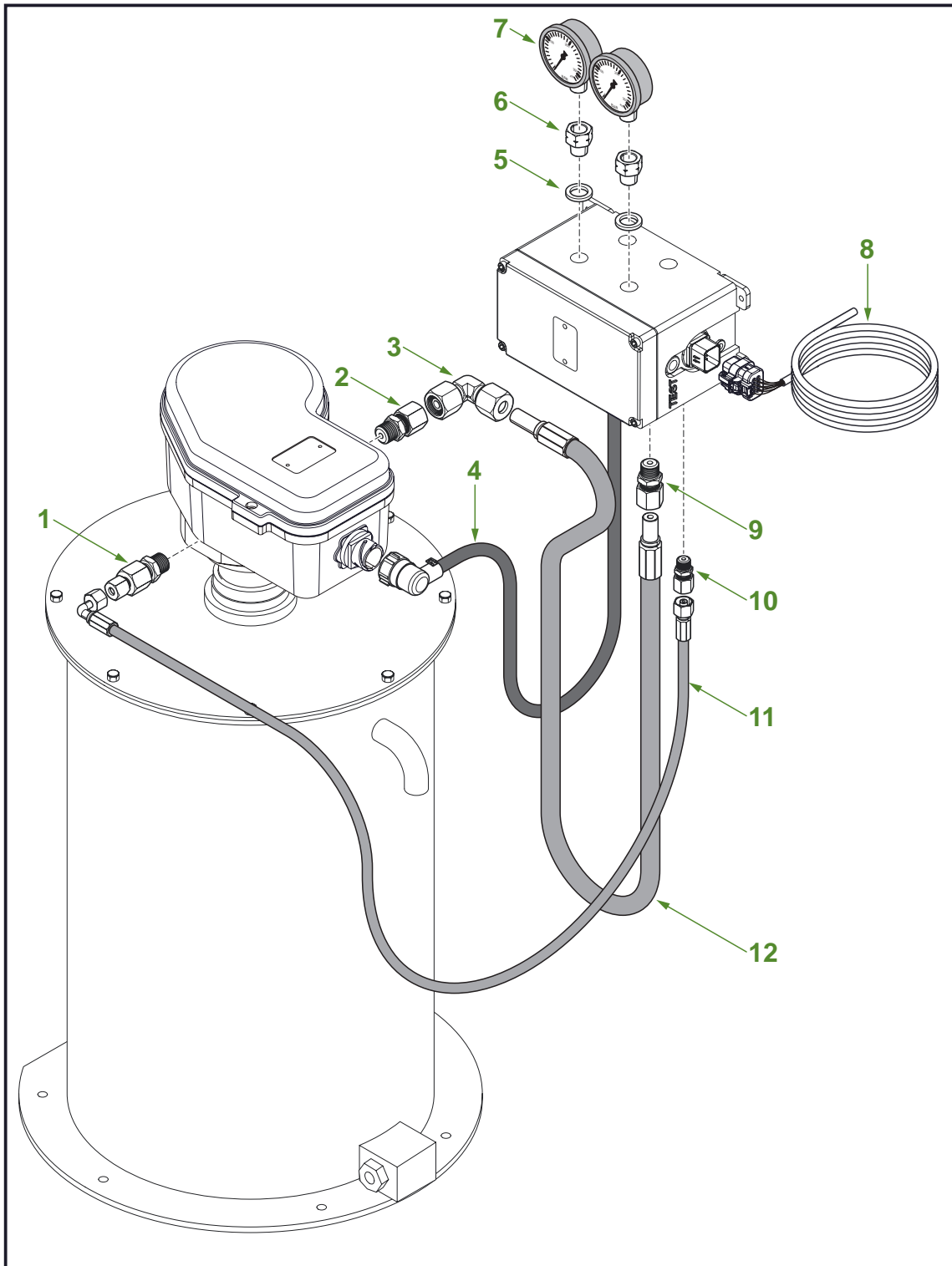
1.8 Twin-3 devices

<i>Part number</i>	<i>Supply voltage</i>	<i>Maximum pressure</i>
F126703	24 Vdc	250 bar

<i>Pos.</i>	<i>Part number</i>	<i>Description</i>	<i>Pos.</i>	<i>Part number</i>	<i>Description</i>
1	F126704	Connector with cable	8	F126376	Timer 12 / 24 Vdc
2	F119100	Test switch with cable	9	F113547	Relay 24 Vdc with diode
3	F119577	Cable gland PG11	10	F210554	Relay socket with cable
4	F120836	Cable gland PG7	11	F178597	5/2-way valve
5	F178796	O-ring kit	12	F119637	5/2-way valve cable
6	F126705	Power supply cable	13	F104436	Sealing ring
7	F119115	Level switch cable	14	F000686	Plug G1/4"

Release date: April 2020

Automatic Twin-3.1 Greasing System



Release date: April 2020

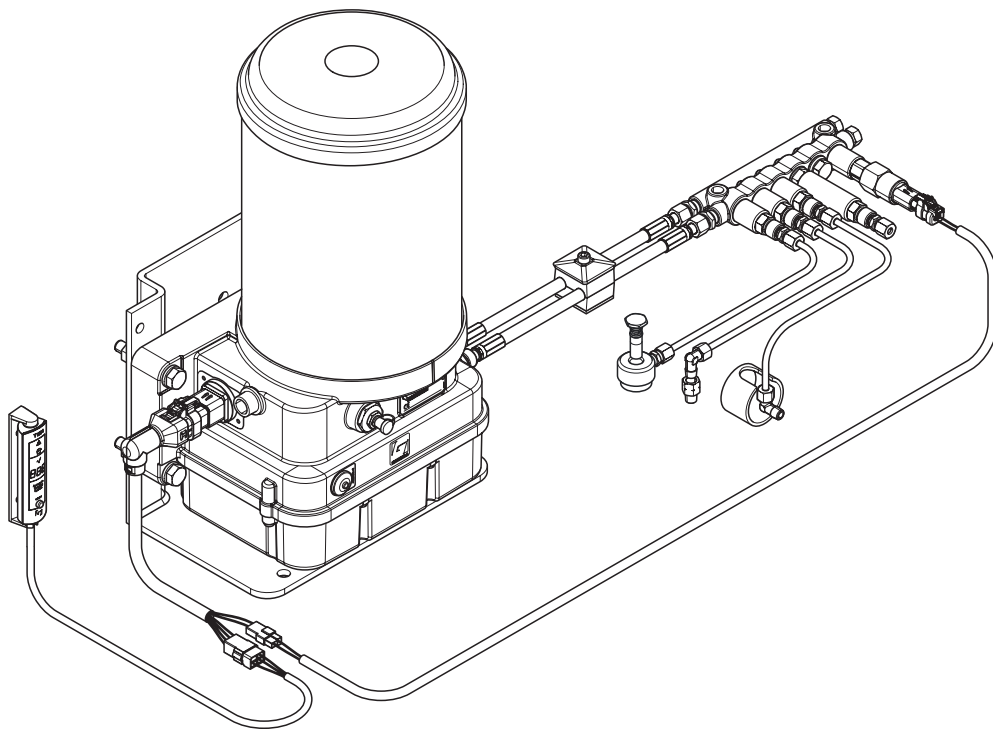
1.9 Twin-3 device installation kit

<i>Part number</i>	<i>Supply voltage</i>	<i>Maximum pressure</i>
F127170	-	-

<i>Pos.</i>	<i>Part number</i>	<i>Description</i>	<i>Pos.</i>	<i>Part number</i>	<i>Description</i>
1	F123571	Non-return valve	7	F119638	Manometer 0 - 400 bar
2	F119639	Connector 3/8" - ø12mm	8	F604708	Cable harness 10 meter
3	F118904	Connector ø12mm	9	F119639	Connector 3/8" - ø12mm
4	F119581	Cable harness 2 meter	10	F120601	Connector 3/8" - ø10mm
5	F124062	Sealing ring	11	F120600	HPH 1/4" S10-1500-E10
6	F127431	Connector G1/4"	12	F178596	HPH 1/2" S12-1500-S12

Release date: April 2020

2. ELECTRICAL PARTS

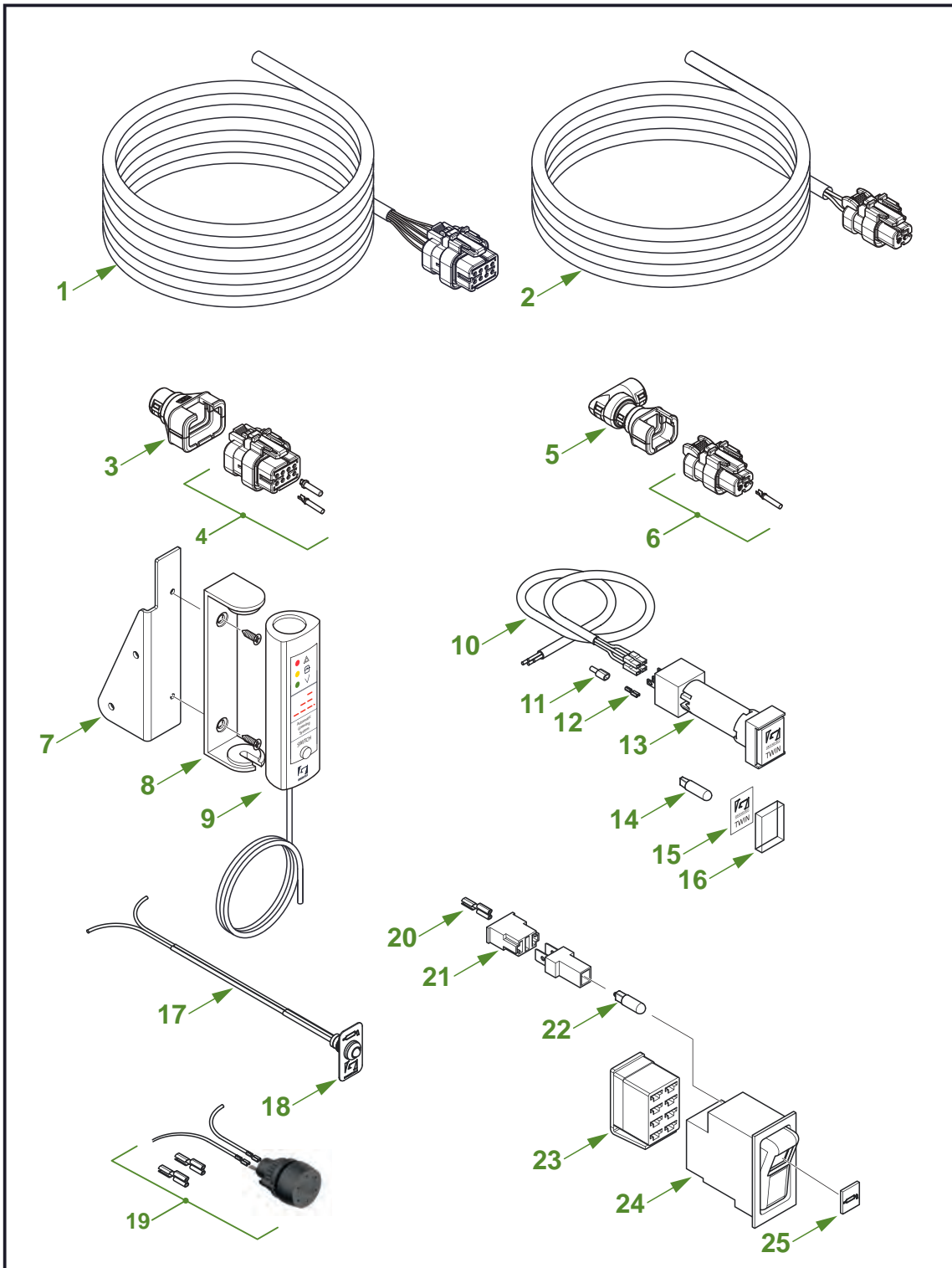


Release date: April 2020



YOUR EFFICIENCY IS OUR CHALLENGE

Automatic Twin-3.1 Greasing System



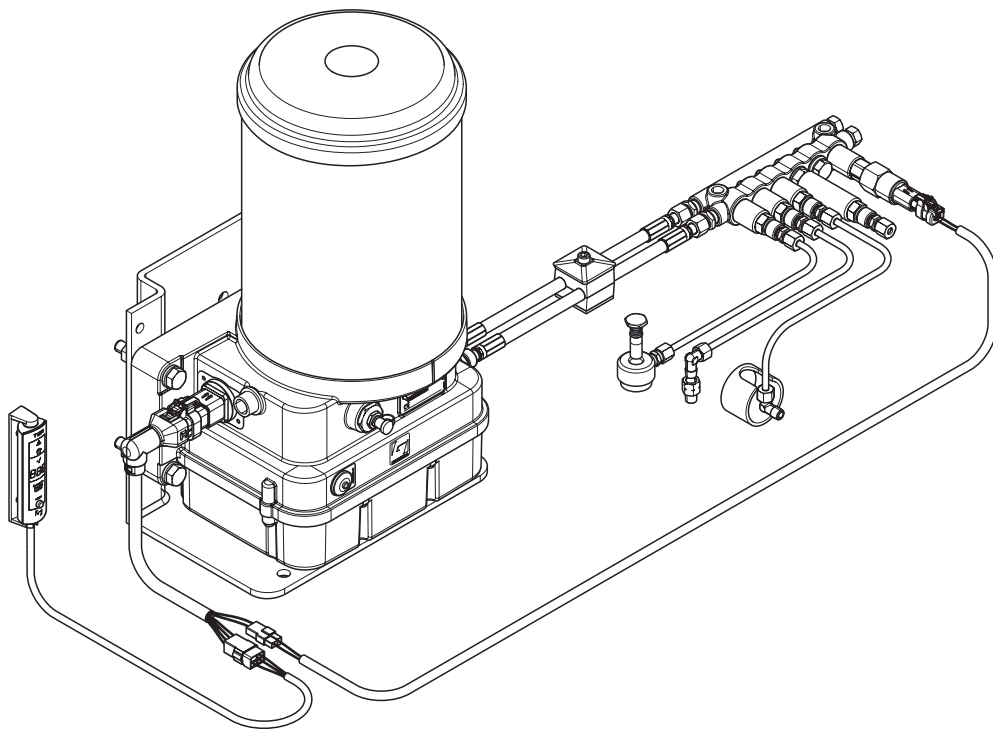
Release date: April 2020

2.1 Twin-3.1 electrical parts

Pos.	Part number	Description
1	F606029	Twin-3 cable harness 8-core / 5 meter
	F604708	Twin-3 cable harness 8-core / 10 meter
	F123728	Twin-3 cable harness 8-core / 15 meter
2	F123727	Twin-3 pressure switch cable harness 2-core / 8 meter
	F123725	Twin-3 pressure switch cable harness 2-core / 15 meter
	F123726	Twin-3 pressure switch cable harness 2-core / 25 meter
3	F131454	Backshell 8-poles straight (NW10)
4	F127305	Twin-3 pump connector 8-core kit
5	F131593	Backshell 2-poles straight (NW10)
6	F127306	Twin-3 pressure switch connector 2-core kit
7	F170372	Twin-3 display bracket 90°
8	F119437	Twin-3 display bracket
9	F204524	Twin-3 display kit, including bracket and screws
10	F106633	Cable harness switch / lamp
11	F113015	Cover flat plug sleeve
12	F113014	Flat plug sleeve
13	F112488	Switch with control lamp 24 Vdc
14	F112769	Bulb 12 Vdc
	F116127	Bulb 24 Vdc
15	F174171	Text window Twin
16	F112842	Window yellow
17	F105891	LED yellow
18	F120306	Text plate LED
19	F173986	Buzzer 24 Vdc - 95Db kit
20	F104635	Receptacle 0.75mm ²
21	F113589	Connector 2-poles (control lamp)
22	F122809	Bulb 12 Vdc
	F122991	Bulb 24 Vdc
23	F113590	Connector 8-poles (switch)
24	F113966	Switch N/O - 24 Vdc
25	F113967	Lamp cover yellow

Release date: April 2020

3. DISTRIBUTION BLOCKS

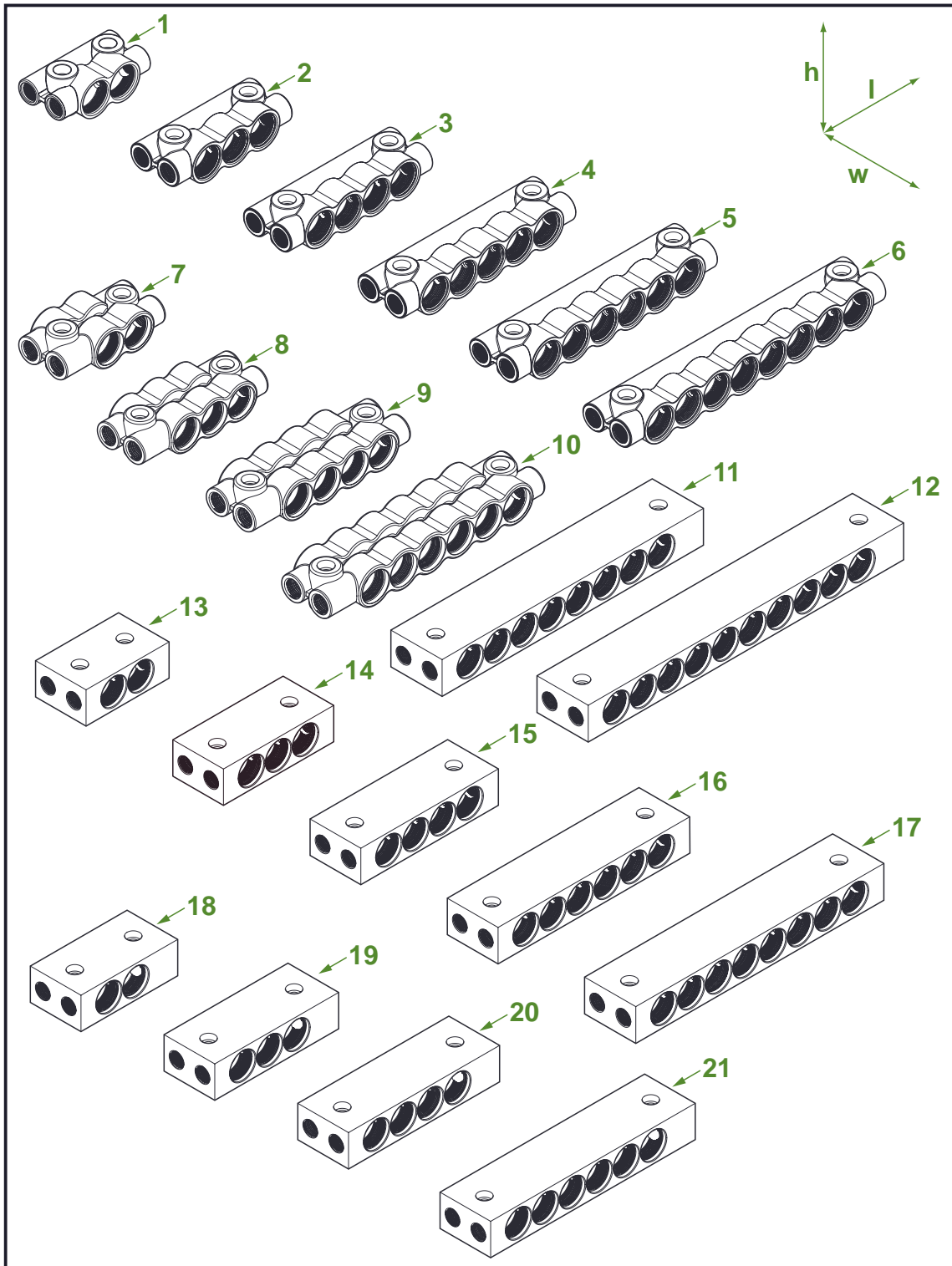


Release date: April 2020



YOUR EFFICIENCY IS OUR CHALLENGE

Automatic Twin-3.1 Greasing System

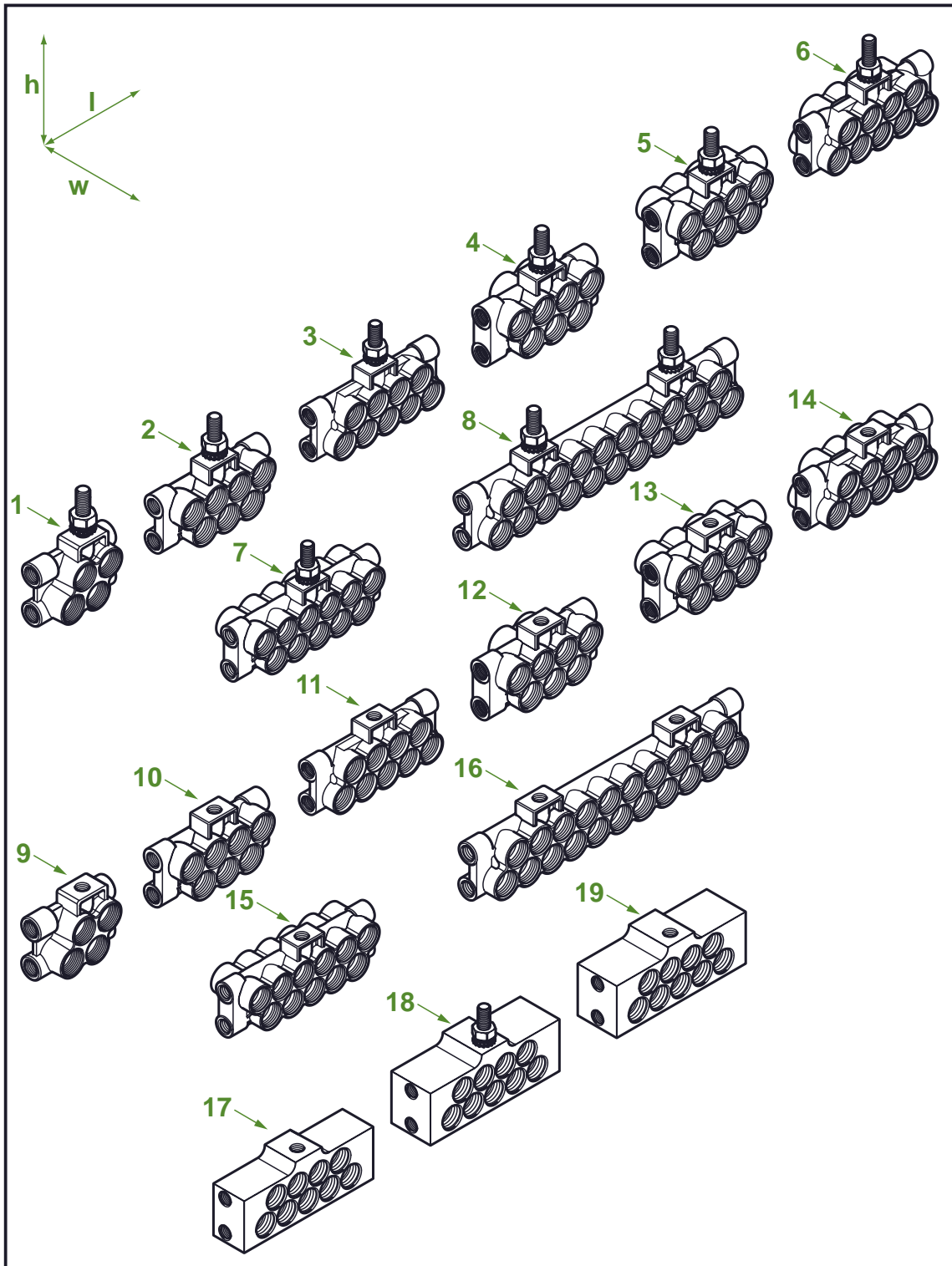


Release date: April 2020

3.1 Industrial distribution blocks

Pos.	Part number	Description	Size(lxbxh)	Material
1	F111742	2-port block	74x43.5x31	brass
2	F111636	3-port block	98x43.5x31	brass
3	F111697	4-port block	122x43.5x31	brass
	F127886	4-port block / heavy duty / M10 bolts	150x58.4x33	brass
4	F113615	5-port block	146x43.5x31	brass
5	F111699	6-port block	170x43.5x31	brass
6	F111638	8-port block	218x43.5x31	brass
7	F111741	2+2-port block	86x45x31	brass
8	F111639	3+3-port block	110x45x31	brass
	F127884	3+3-port block / heavy duty / M10 bolts	126x58.4x33	brass
9	F111640	4+4-port block	136x45x31	brass
	F127883	4+4-port block / heavy duty / M10 bolts	150x58.4x33	brass
10	F111642	6+6-port block	182x45x31	brass
	F127885	6+6-port block / heavy duty / M10 bolts	202x58.4x33	brass
11	F211377	8+8-port block	230x45x31	brass
12	F112855	10+10-port block	244x45x31	brass
13	F112531	2-port block	74x45x28	inox
14	F112532	3-port block	98x45x28	inox
15	F112533	4-port block	122x45x28	inox
16	F112534	6-port block	170x45x28	inox
17	F113616	8-port block	218x45x28	inox
18	F112535	2+2-port block	86x45x28	inox
19	F112536	3+3-port block	110x45x28	inox
20	F112537	4+4-port block	134x45x28	inox
21	F112538	6+6-port block	182x45x28	inox

Automatic Twin-3.1 Greasing System



Release date: April 2020

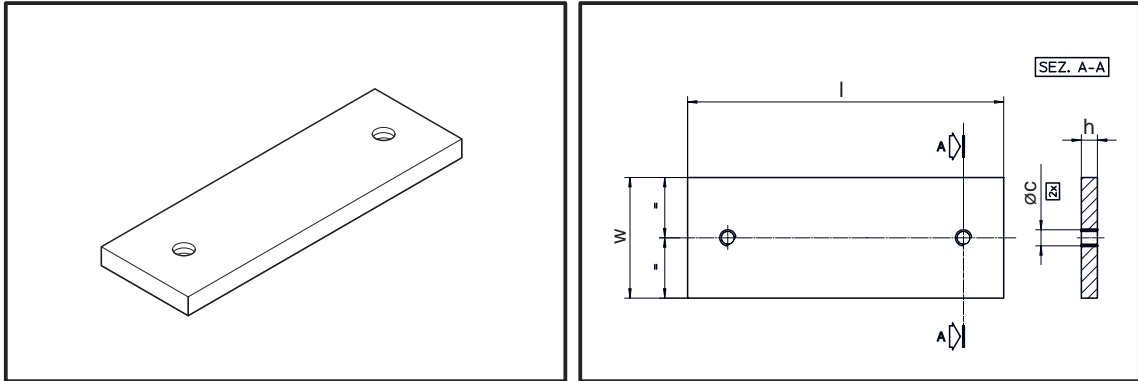
3.2 Transport distribution blocks

<i>Pos.</i>	<i>Part number</i>	<i>Description</i>	<i>Size(lxbxh)</i>	<i>Material</i>
1	F111393	4-port block inclusive stud	75x31.5x97.5	brass
2	F111394	7-port block inclusive stud	111x31.5x97.5	brass
3	F111395	9-port block inclusive stud	135x31.5x97.5	brass
4	F111396	12-port block inclusive stud	111x44x97.5	brass
5	F111952	14-port block inclusive stud	111x44x97.5	brass
6	F111953	18-port block inclusive stud	111x44x97.5	brass
7	F116245	22-port block inclusive stud	160x44x97.5	brass
8	F112875	21-port block inclusive studs	280x31.5x97.5	brass
9	F110628	4-port block exclusive stud	75x31.5x62.5	brass
10	F110629	7-port block exclusive stud	111x31.5x62.5	brass
11	F110630	9-port block exclusive stud	135x31.5x62.5	brass
12	F110631	12-port block exclusive stud	111x44x62.5	brass
13	F112005	14-port block exclusive stud	111x44x62.5	brass
14	F112004	18-port block exclusive stud	111x44x62.5	brass
15	F116180	22-port block exclusive stud	160x44x62.5	brass
16	F112477	21-port block exclusive studs	280x31.5x62.5	brass
17	F115173	9-port block exclusive stud	146x35x60	inox
18	F170443	18-port block inclusive stud	146x35x95	inox
19	F115174	18-port block exclusive stud	146x35x60	inox

Release date: April 2020

Automatic Twin-3.1 Greasing System

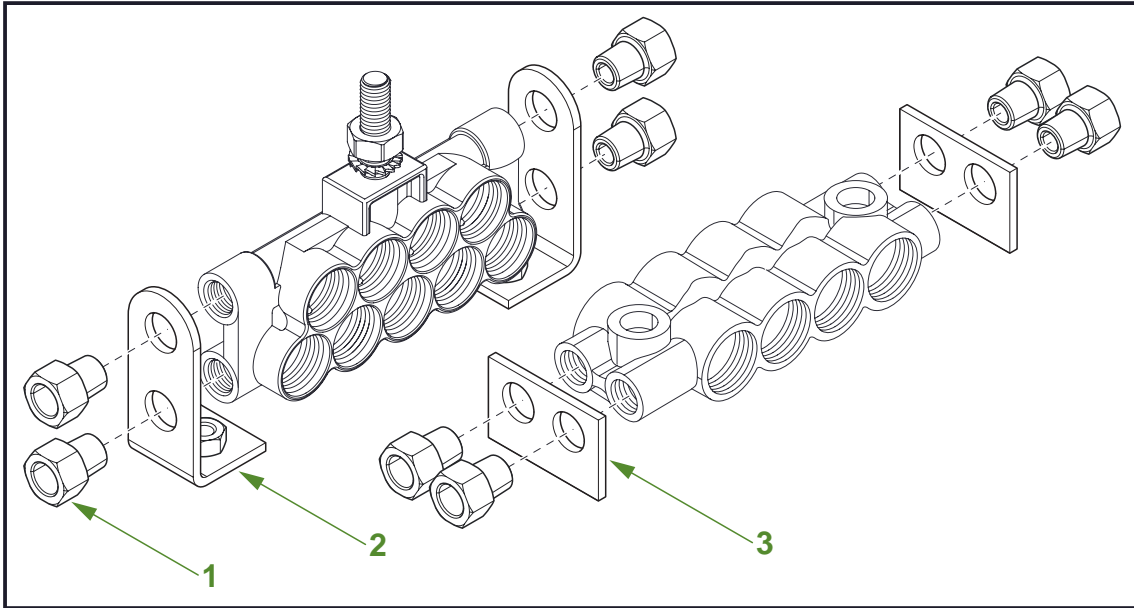
3.3 Welding plates for industrial distribution blocks



Pos.	Part number	Description	l	w	h	øc	Material
1	F107458	2-port block	70	45	6	M6	steel
2	F107459	3-port block	94	45	6	M6	steel
3	F107460	4-port block	118	45	6	M6	steel
4	F208297	4 / 4+4-port block heavy duty	150	60	12	M10	steel
5	F108244	5-port block	142	45	6	M6	steel
6	F107461	6-port block	166	45	6	M6	steel
7	F107462	8-port block	214	45	6	M6	steel
8	F107463	2+2-port block	82	45	6	M6	steel
9	F107464	3+3-port block	106	45	6	M6	steel
10	F208296	3+3-port block heavy duty	124	60	12	M10	steel
11	F107465	4+4-port block	130	45	6	M6	steel
12	F107466	6+6-port block	178	45	6	M6	steel
13	F208298	6+6-port block heavy duty	202	60	12	M10	steel
14	F122923	10+10-port block	278	45	6	M6	steel

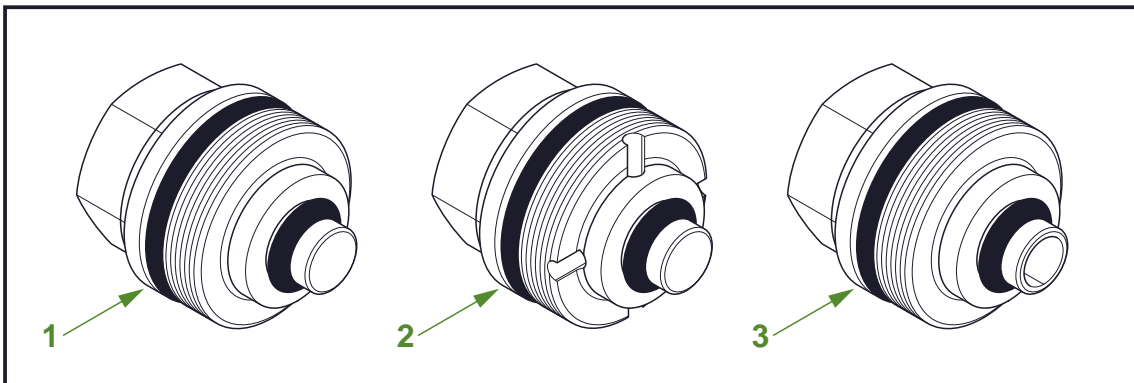
Release date: April 2020

3.4 Special brackets



Pos.	Part number	Description	Material
1	F209276	Adapter straight R1/4" - G1/4"	steel
2	F209275	Bracket for transport distribution block	steel
3	F209905	Bracket for industrial distribution block	steel

3.5 Shut-off plugs & reduction adapters

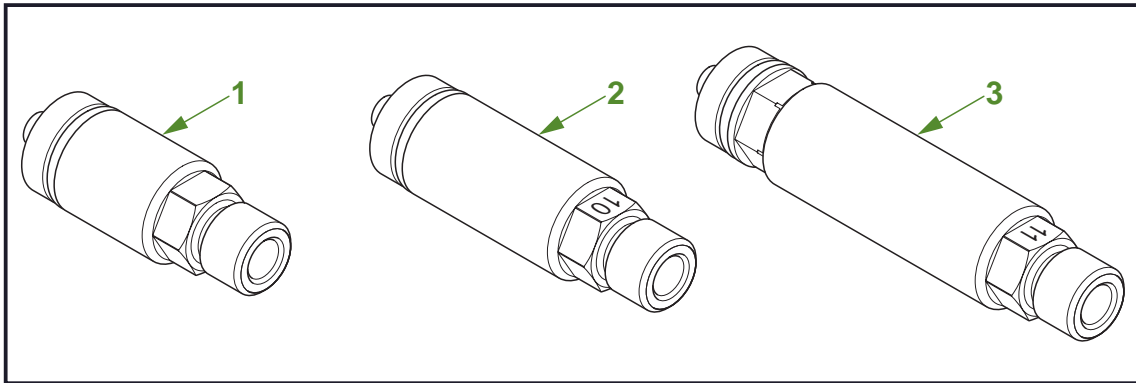


Pos.	Part number	Description	Material
1	F115460	Shut-off plug M22x1	brass
	F112648	Shut-off plug M22x1	inox
2	F111647	Reduction adapter M22x1 - G1/4" side outlet	brass
	F115202	Reduction adapter M22x1 - G1/4" side outlet	inox
3	F111612	Reduction adapter M22x1 - G1/4" bottom outlet	brass
	F115201	Reduction adapter M22x1 - G1/4" bottom outlet	inox

Release date: April 2020

Automatic Twin-3.1 Greasing System

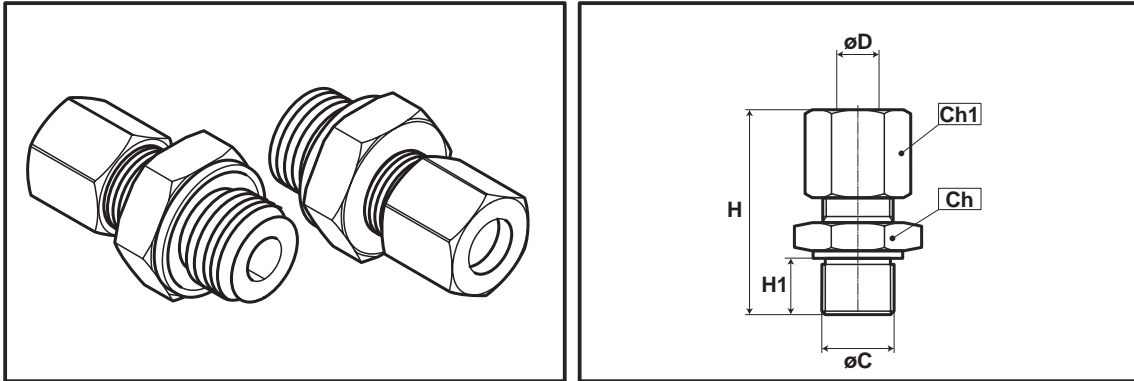
3.6 Metering units 1/8"NPT



Pos.	Part number	Description	Material
1	F119016	Metering unit no.0 - 0.025cc/M22x1/ø1/8"NPT	brass
	F605430	Metering unit no.0 - 0.025cc/M22x1/ø1/8"NPT	inox
	F119018	Metering unit no.1 - 0.050cc/M22x1/ø1/8"NPT	brass
	F605431	Metering unit no.1 - 0.050cc/M22x1/ø1/8"NPT	inox
	F119017	Metering unit no.2 - 0.100cc/M22x1/ø1/8"NPT	brass
	F605432	Metering unit no.2 - 0.100cc/M22x1/ø1/8"NPT	inox
	F119031	Metering unit no.3 - 0.150cc/M22x1/ø1/8"NPT	brass
	F605433	Metering unit no.3 - 0.150cc/M22x1/ø1/8"NPT	inox
	F119019	Metering unit no.4 - 0.200cc/M22x1/ø1/8"NPT	brass
	F605434	Metering unit no.4 - 0.200cc/M22x1/ø1/8"NPT	inox
	F195256	Metering unit no.5 - 0.250cc/M22x1/ø1/8"NPT	brass
	F119020	Metering unit no.6 - 0.300cc/M22x1/ø1/8"NPT	brass
F605435	Metering unit no.6 - 0.300cc/M22x1/ø1/8"NPT	inox	
F195257	Metering unit no.7 - 0.350cc/M22x1/ø1/8"NPT	brass	
F119021	Metering unit no.8 - 0.400cc/M22x1/ø1/8"NPT	brass	
F605436	Metering unit no.8 - 0.400cc/M22x1/ø1/8"NPT	inox	
F119022	Metering unit no.8.5 - 0.700cc/M22x1/ø1/8"NPT	brass	
F605437	Metering unit no.8.5 - 0.700cc/M22x1/ø1/8"NPT	inox	
F119023	Metering unit no.9 - 1.000cc/M22x1/ø1/8"NPT	brass	
F605438	Metering unit no.9 - 1.000cc/M22x1/ø1/8"NPT	inox	
2	F119024	Metering unit no.10 - 2.000cc/M22x1/ø1/8"NPT	brass
	F605439	Metering unit no.10 - 2.000cc/M22x1/ø1/8"NPT	inox
3	F119835	Metering unit no.11 - 4.000cc/M22x1/ø1/8"NPT	brass
	F128427	Metering unit no.11 - 4.000cc/M22x1/ø1/8"NPT	inox

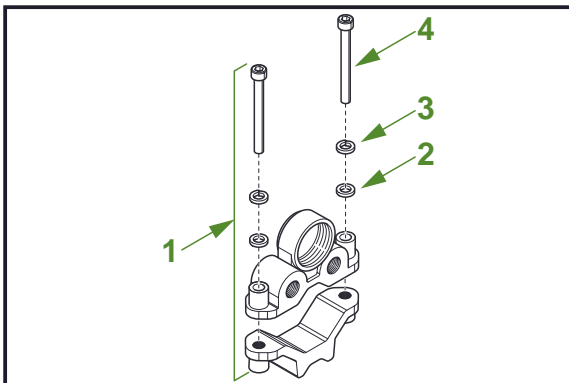
Release date: April 2020

3.7 Male stud couplings for metering units $\varnothing 1/8''$ NPT



Pos.	Part number	$\varnothing C$	$\varnothing D$	Ch	Ch1	H	H1	Material
1	F605603	1/8"NPT	3/16"	15	12	22	7.5	brass
2	F605584	1/8"NPT	6mm	15	12	23	8	brass
3	F605577	1/8"NPT	6mm	15	12	23	8	steel
4	F605669	1/8"NPT	6mm	15	12	23	8	inox

3.8 Pressure switch block

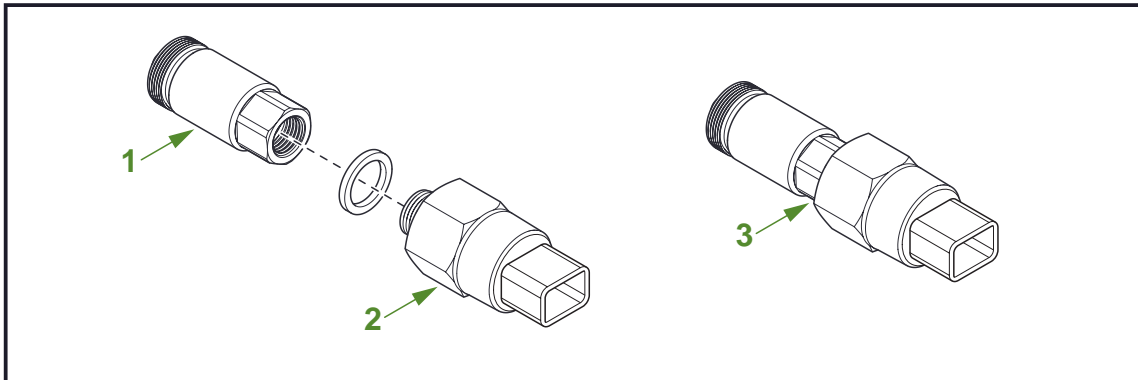


Pos.	Part number	Description	Material
1	F125721	Pressure switch block kit	-
2	F113426	Plain washer M10	steel
3	F113427	Lock washer M10	steel
4	F103255	Allen screw M10x60	steel

Release date: April 2020

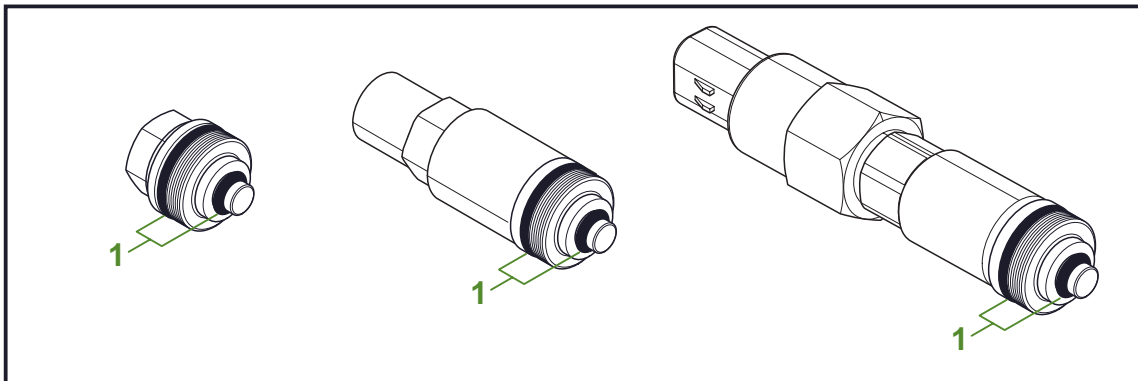
Automatic Twin-3.1 Greasing System

3.9 Pressure switches



Pos.	Part number	Description	Material
1	F112491	Pressure switch valve	brass
	F112891	Pressure switch valve	inox
2	F605872	Pressure switch 100 bar	brass
	F123613	Pressure switch 100 bar	inox
	F617074	Pressure switch 125 bar	brass
	F123614	Pressure switch 125 bar	inox
	F605871	Pressure switch 150 bar	brass
	F123615	Pressure switch 150 bar	inox
3	F617075	Pressure switch 175 bar	brass
	F123616	Pressure switch 175 bar	inox
	F617937	Pressure switch 100 bar, complete with valve	brass
	F130110	Pressure switch 100 bar, complete with valve	inox
	F617938	Pressure switch 125 bar, complete with valve	brass
	F617939	Pressure switch 150 bar, complete with valve	brass
	F128999	Pressure switch 150 bar, complete with valve	inox
	F617940	Pressure switch 175 bar, complete with valve	brass

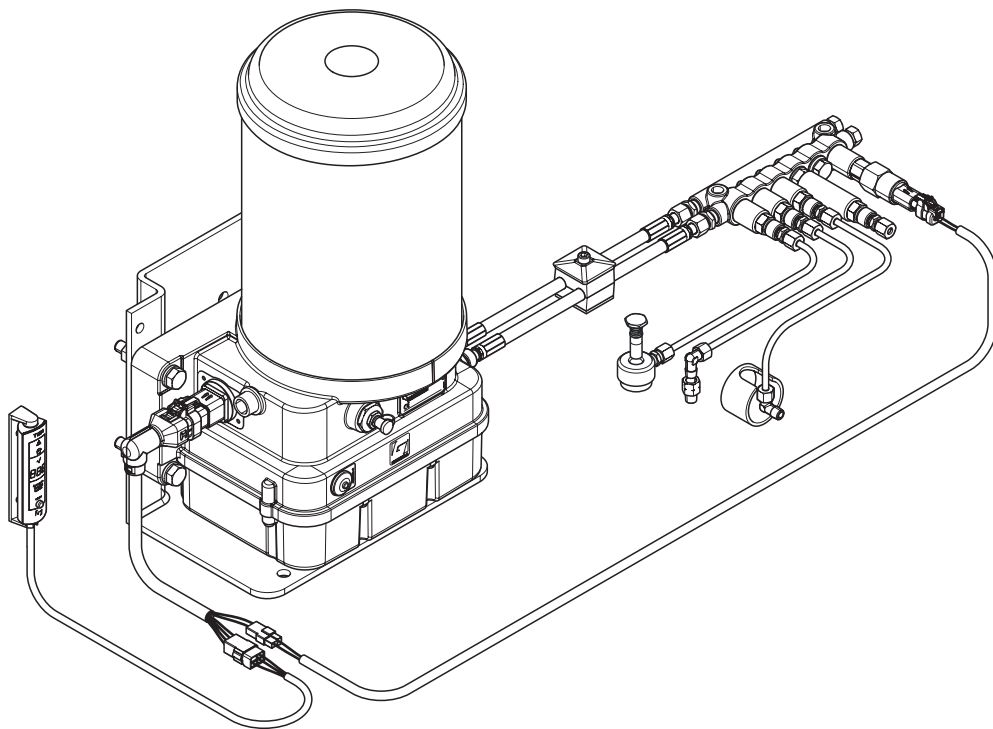
3.10 O-ring kit



Pos.	Part number	Description	Material
1	F605836	O-ring kit metering unit, pressure switch and shut-off plug	NBR 90S

Release date: April 2020

4. DIAGNOSTIC TOOLS

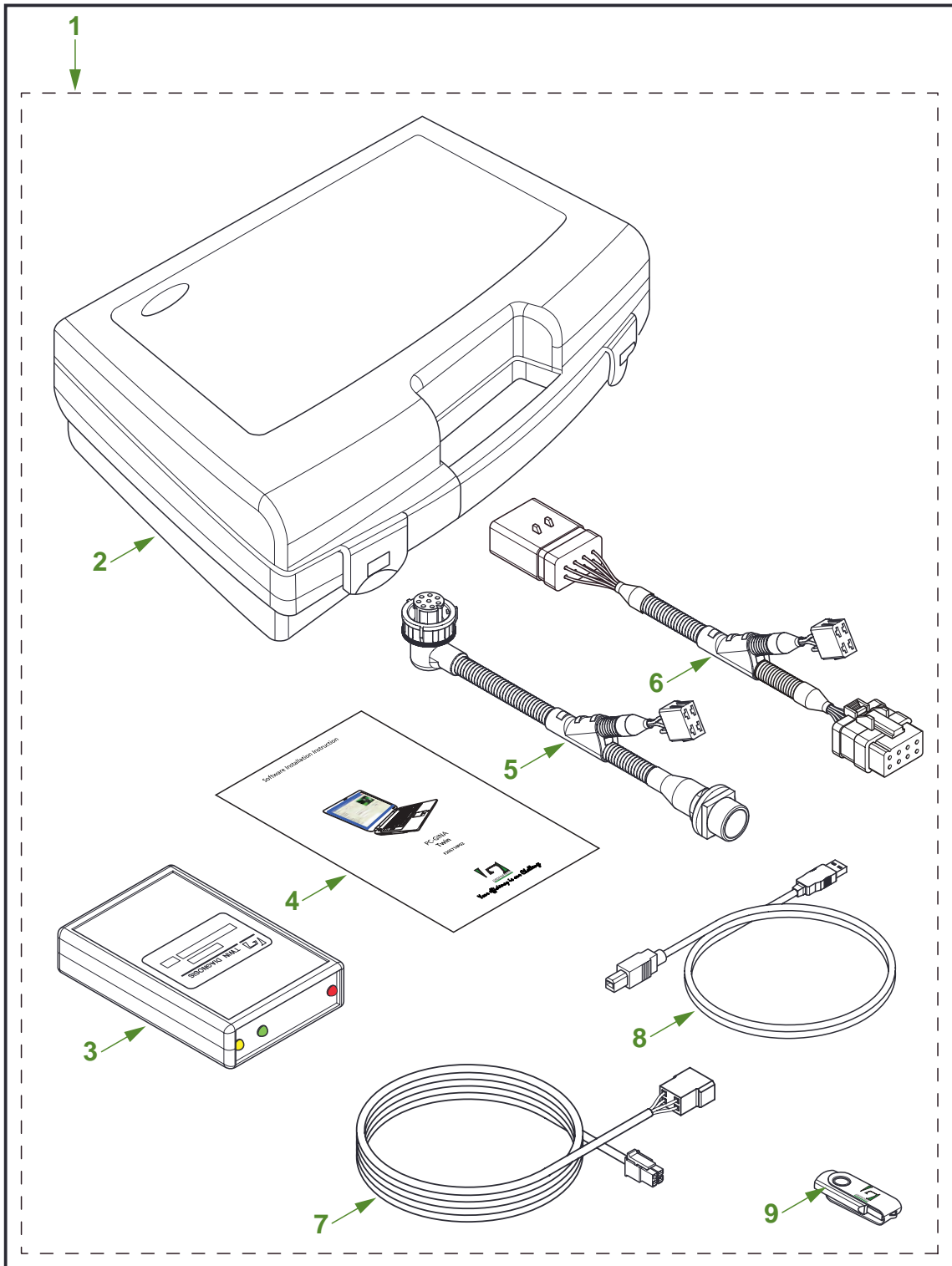


Release date: April 2020



YOUR EFFICIENCY IS OUR CHALLENGE

Automatic Twin-3.1 Greasing System



Release date: April 2020

4.1 Twin PC-GINA kit

<i>Pos.</i>	<i>Part number</i>	<i>Description</i>
1	F125410	Twin PC-GINA kit
2	F121605	Diagnosis case
3	F124299	Diagnosis interface
4	F603607	Diagnosis kit instruction
5	F111807	Y-cable Twin-2
6	F124310	Y-cable TriPlus-3 / BreakAlube-3 / Twin-3
7	F124311	Data cable PC-GINA
8	F124309	USB cable'
9	F603605	USB Twin PC-GINA
	F606031	Validation code Twin

Release date: April 2020

5. INDEX

F000686	21	F112537	31
F100056	13	F112538	31
F100258	13	F112648	35
F100359	13	F112769	27
F103255	37	F112842	27
F104436	21	F112855	31
F104546	13	F112869	11
F104635	27	F112875	33
F105891	27	F112891	38
F106633	27	F113014	27
F107458	34	F113015	27
F107459	34	F113426	37
F107460	34	F113427	37
F107461	34	F113547	21
F107462	34	F113589	27
F107463	34	F113590	27
F107464	34	F113615	31
F107465	34	F113616	31
F107466	34	F113966	27
F108244	34	F113967	27
F110628	33	F114230	11, 15, 17, 19
F110629	33	F114923	11, 15
F110630	33	F115173	33
F110631	33	F115174	33
F111037	11, 15	F115201	35
F111296	7, 9	F115202	35
F111393	33	F115460	35
F111394	33	F115535	11
F111395	33	F115536	11
F111396	33	F116127	27
F111612	35	F116180	33
F111636	31	F116245	33
F111638	31	F116961	9
F111639	31	F117930	19
F111640	31	F118378	17
F111642	31	F118898	17
F111647	35	F118904	23
F111669	31	F119016	36
F111697	31	F119017	36
F111699	31	F119018	36
F111741	31	F119019	36
F111742	31	F119020	36
F111807	41	F119021	36
F111952	33	F119022	36
F111953	33	F119023	36
F112004	33	F119024	36
F112005	33	F119031	36
F112477	33	F119100	21
F112488	27	F119115	21
F112491	38	F119125	17
F112531	31	F119407	19
F112532	31	F119425	19
F112533	31	F119437	27
F112534	31	F119494	17
F112535	31	F119577	21
F112536	31	F119581	23

F119583	19	F126711	7, 9
F119584	19	F127086	15
F119586	19	F127170	23
F119587	19	F127305	27
F119588	19	F127306	27
F119592	19	F127355	15
F119593	19	F127431	23
F119637	21	F127883	31
F119638	23	F127884	31
F119639	23	F127885	31
F119656	17	F127886	31
F119835	36	F128427	36
F119890	19	F128873	15
F119891	19	F128999	38
F119988	19	F129027	17
F120306	27	F130110	38
F120320	17	F131004	15
F120335	17	F131454	27
F120538	19	F131593	27
F120541	19	F170210	7, 9
F120600	23	F170212	11
F120601	23	F170213	11
F120619	17	F170372	27
F120836	21	F170443	33
F121391	17, 19	F173986	27
F121605	41	F174171	27
F122809	27	F177843	17
F122923	34	F178596	23
F122991	27	F178597	21
F123571	23	F178796	21
F123613	38	F179811	17, 19
F123614	38	F195256	36
F123615	38	F195257	36
F123616	38	F202360	17, 19
F123725	27	F202361	17
F123726	27	F204524	27
F123727	27	F208296	34
F123728	27	F208297	34
F124062	23	F208298	34
F124139	19	F209275	35
F124299	41	F209276	35
F124309	41	F209905	35
F124310	41	F210491	15
F124311	41	F210492	15
F125410	41	F210493	15
F125721	37	F210494	15
F125951	11	F210554	21
F126376	7, 9, 15, 21	F211377	31
F126439	15, 17	F601785	7, 9, 15
F126630	15	F601786	7, 9
F126634	15	F603605	41
F126635	15	F603607	41
F126642	15	F604600	7, 9
F126649	15	F604611	7, 9
F126688	15	F604662	7
F126703	21	F604708	23, 27
F126704	21	F604728	7, 9
F126705	21	F604829	7, 9

Release date: April 2020

Automatic Twin-3.1 Greasing System

F605280	7, 9	F617417	9
F605337	7	F617471	7, 9
F605338	9	F617553	13
F605430	36	F617936	7, 9
F605431	36	F617937	38
F605432	36	F617938	38
F605433	36	F617939	38
F605434	36	F617940	38
F605435	36	F617959	7, 9
F605436	36	F618308	7
F605437	36	F618309	9
F605438	36	F618310	9
F605439	36	F618311	7
F605577	37	F651112	7, 9
F605584	37	F692897	7, 9
F605603	37		
F605669	37		
F605724	7, 9		
F605836	38		
F605871	38		
F605872	38		
F606029	27		
F606031	41		
F606061	13		
F606253	7		
F606356	7, 9		
F606511	13		
F606550	7, 9		
F606893	9		
F606930	7, 9		
F617074	38		
F617075	38		
F617290	7		
F617291	7		
F617292	7		
F617293	9		
F617294	7		
F617295	7		
F617296	7		
F617297	9		
F617298	7, 9		
F617299	7, 9		
F617301	7, 9		
F617400	7		
F617401	7		
F617402	7		
F617403	7		
F617404	7		
F617405	7		
F617406	7		
F617407	7		
F617408	7		
F617409	7		
F617410	7		
F617411	7		
F617412	9		
F617413	9		
F617414	9		

Release date: April 2020

