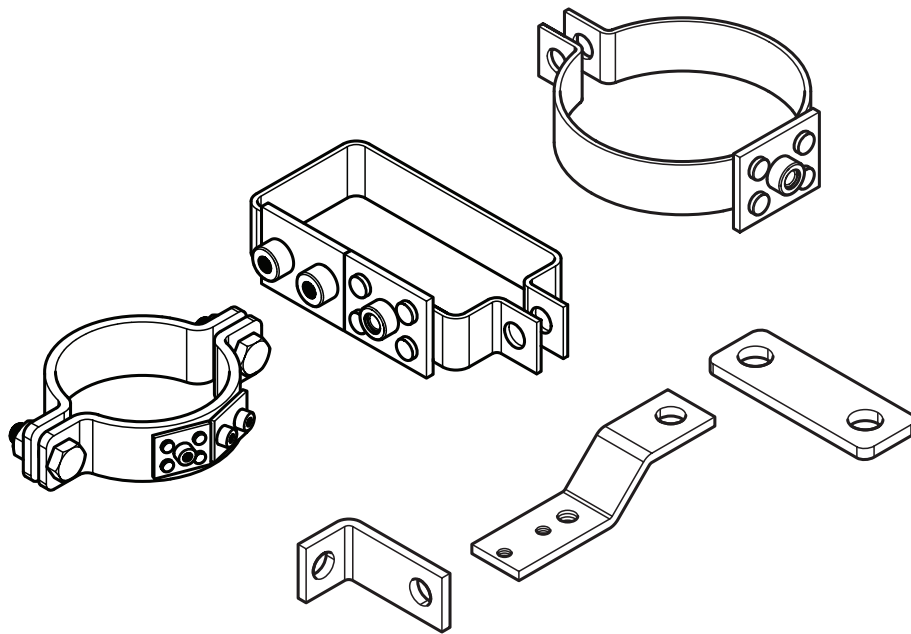


Parts Manual



Brackets

F219298R08



All rights reserved. No part of this manual may be copied and/or published by means of printing, photocopying, microfilm or by any other means without prior written permission from Groeneveld. This applies also to the drawings and diagrams appended.

Groeneveld reserves the right to change parts at any time, without prior or direct notice to the customer. The contents of this manual may also be changed without prior notice.

This manual applies to the standard version of the product. Groeneveld cannot accept liability for any damage arising from the use of specifications other than that supplied.

You are requested to contact Groeneveld technical service for information concerning adjustment, maintenance work or repairs that is not described in this manual.

Whilst this manual has been prepared with the greatest possible care Groeneveld cannot accept responsibility for any errors of the consequences of such errors.

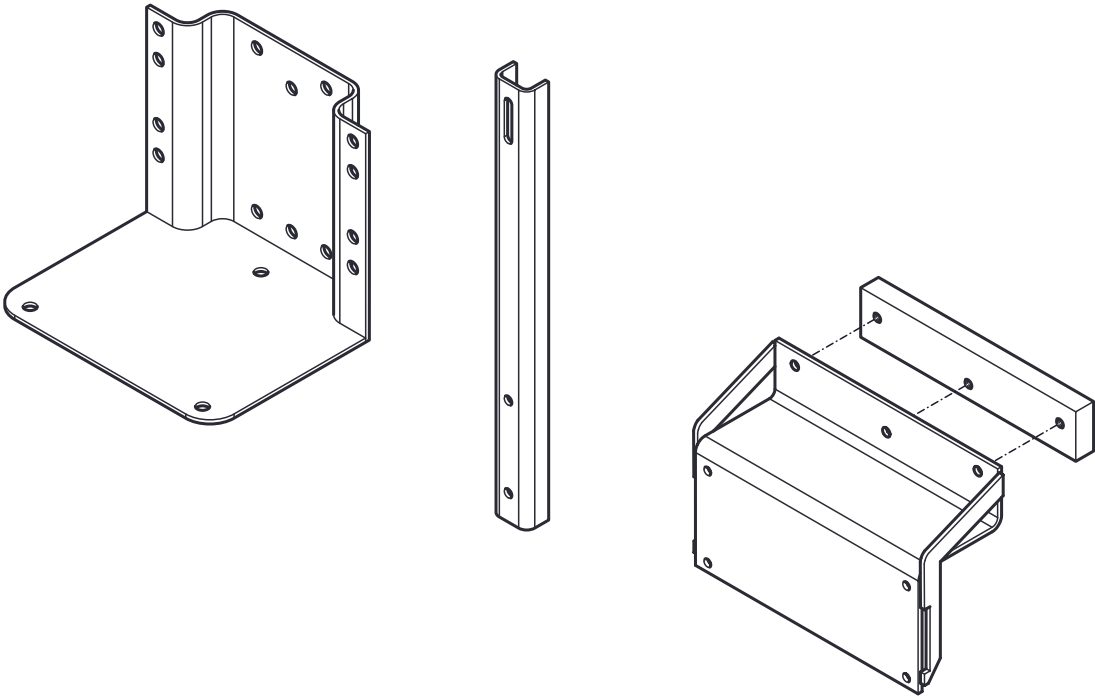
TABLE OF CONTENTS

1. PUMP BRACKETS	5
1.1 Brackets EcoPlus - CompAlube pump	6
1.2 Brackets pneumatic pump	7
1.3 Brackets electrical pump	8
1.4 Protection box for Twin-3.1 pump 4 liter	10
1.5 Brackets 8 liter pump	12
2. WELDING BLOCKS / STRIPS	13
2.1 Threaded welding bushes / nuts (fully threaded)	14
2.2 Threaded welding blocks (fully threaded)	14
2.3 Welding strips (fully threaded, order per hole)	15
2.4 Flat bar iron	15
2.5 Angle iron	16
2.6 U-profile	16
3. PROTECTION	17
3.1 Protection rings	18
3.2 Protection rings with cover plate	18
3.3 Protection plates	19
3.4 Protection brackets	19
4. MOUNTING BRACKETS	21
4.1 Brackets flat	22
4.2 Welding brackets flat	22
4.3 Brackets right angle	23
4.4 Welding brackets U and right angle	23
4.5 Z brackets	24
4.6 Brackets for bulkhead couplings	24
4.7 Brackets flat, block clamps	25
4.8 Brackets right angle, block clamps	25
4.9 Z brackets, block clamps	26
4.10 T brackets, block clamps	26
4.11 Mounting plate centralisation	27
5. SPACERS	29
5.1 Spacers, round	30
5.2 Spacers, square	30
6. TUBE / HOSE CLAMPS	31
6.1 Clamps, tube 10 mm	32
6.2 Filler - welding blocks, clamps tube 10 mm	32
6.3 Filler blocks, block clamps	33
6.4 Linkage hose protection clamps	33

Release date: December 2019

7. BRACKET CLAMPS	35
7.1 Bracket clamps, round / one bolt	36
7.2 Bracket clamps, round / two bolts	36
7.3 Bracket clamps, square	37
7.5 Bracket clamps, round / large	38
7.4 Bracket clamps, oval / large	38

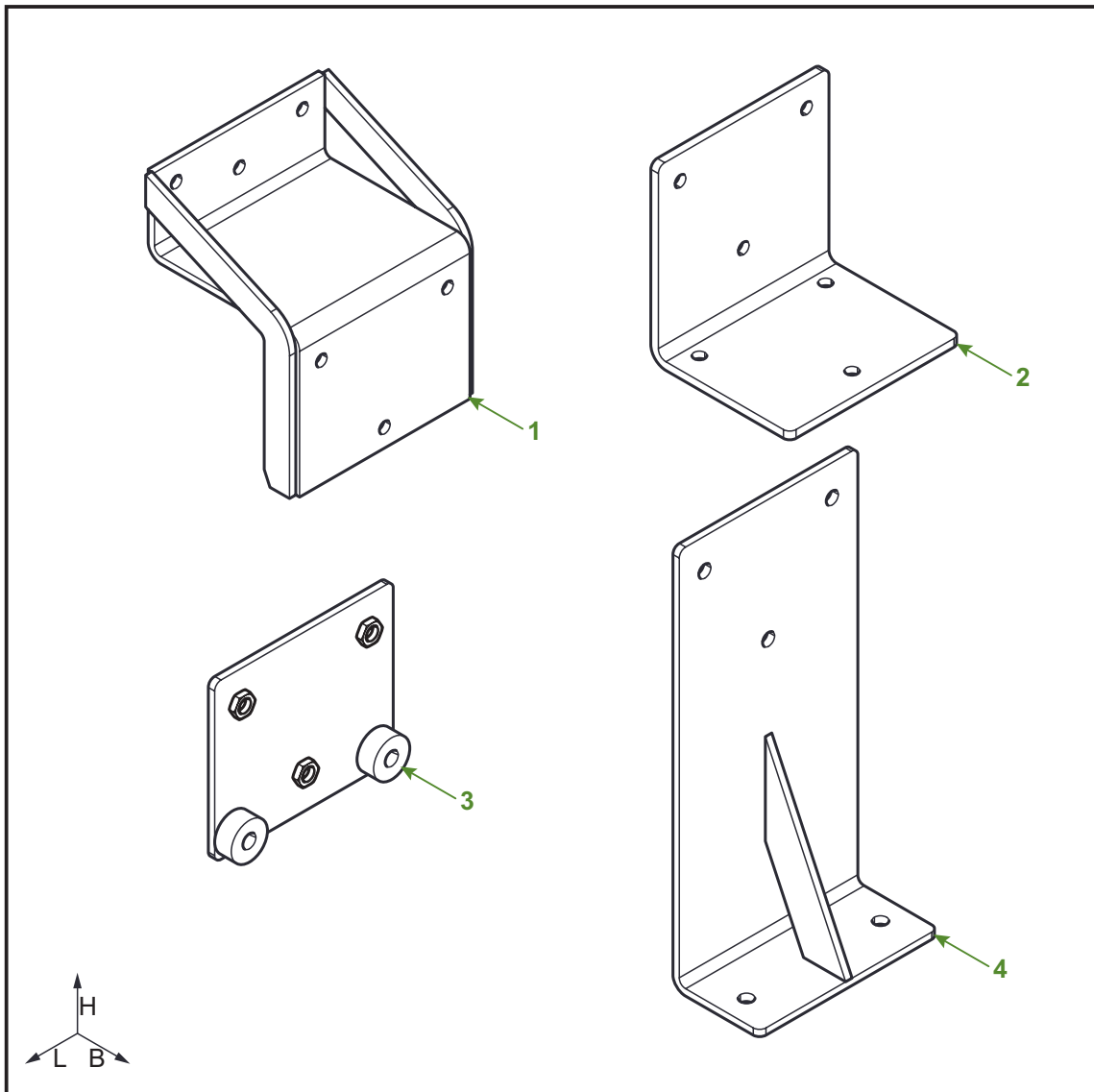
1. PUMP BRACKETS



Release date: December 2019



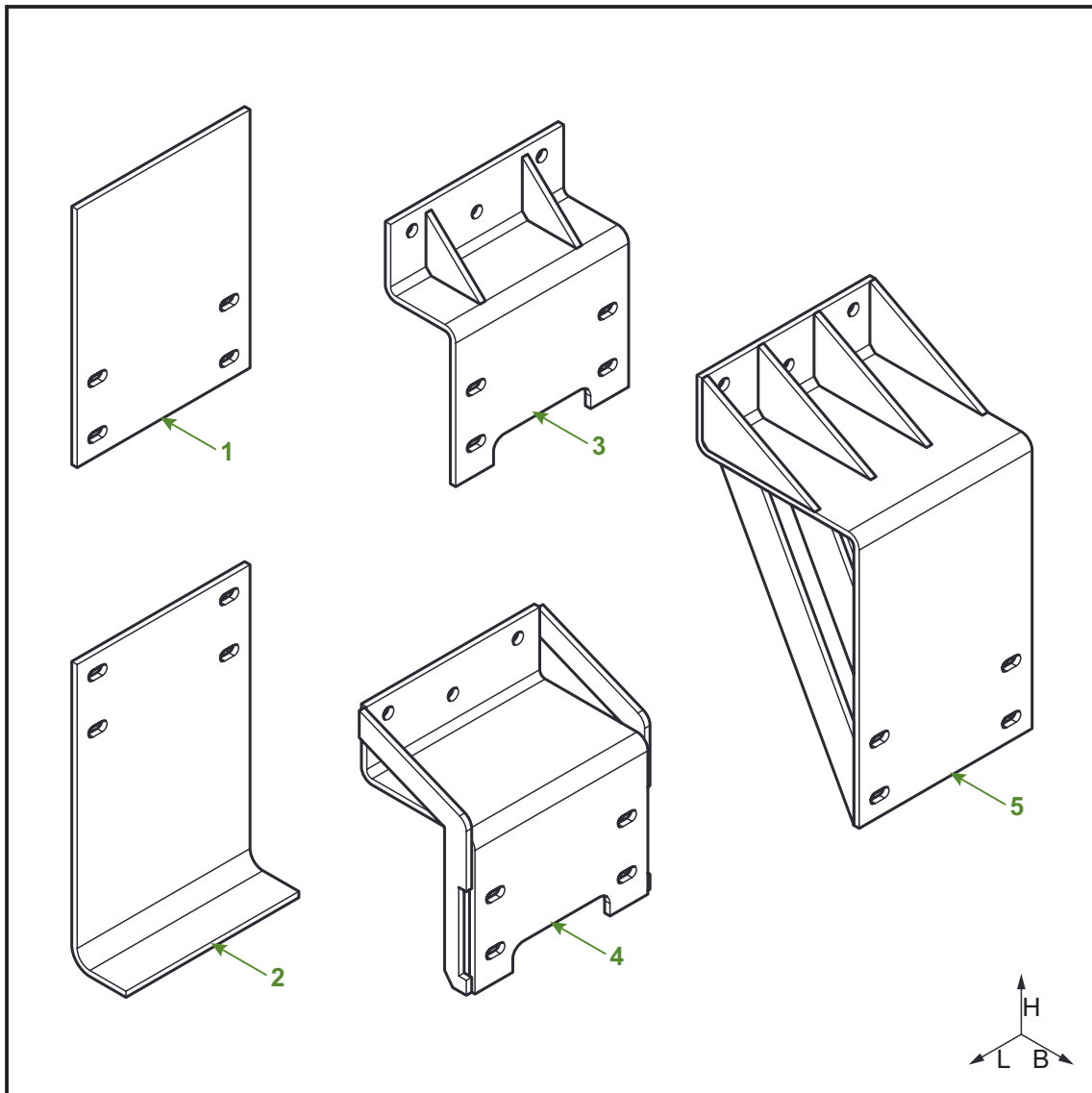
1.1 Brackets EcoPlus - CompAlube pump



Pos.	Part Number	B	H	L	Material
1	F200594	120 mm	165 mm	145 mm	steel
2	F602363	110 mm	137 mm	135 mm	steel
3	F207559	21 mm	120 mm	135 mm	steel
4	F122081	68 mm	300 mm	140 mm	steel

Release date: December 2019

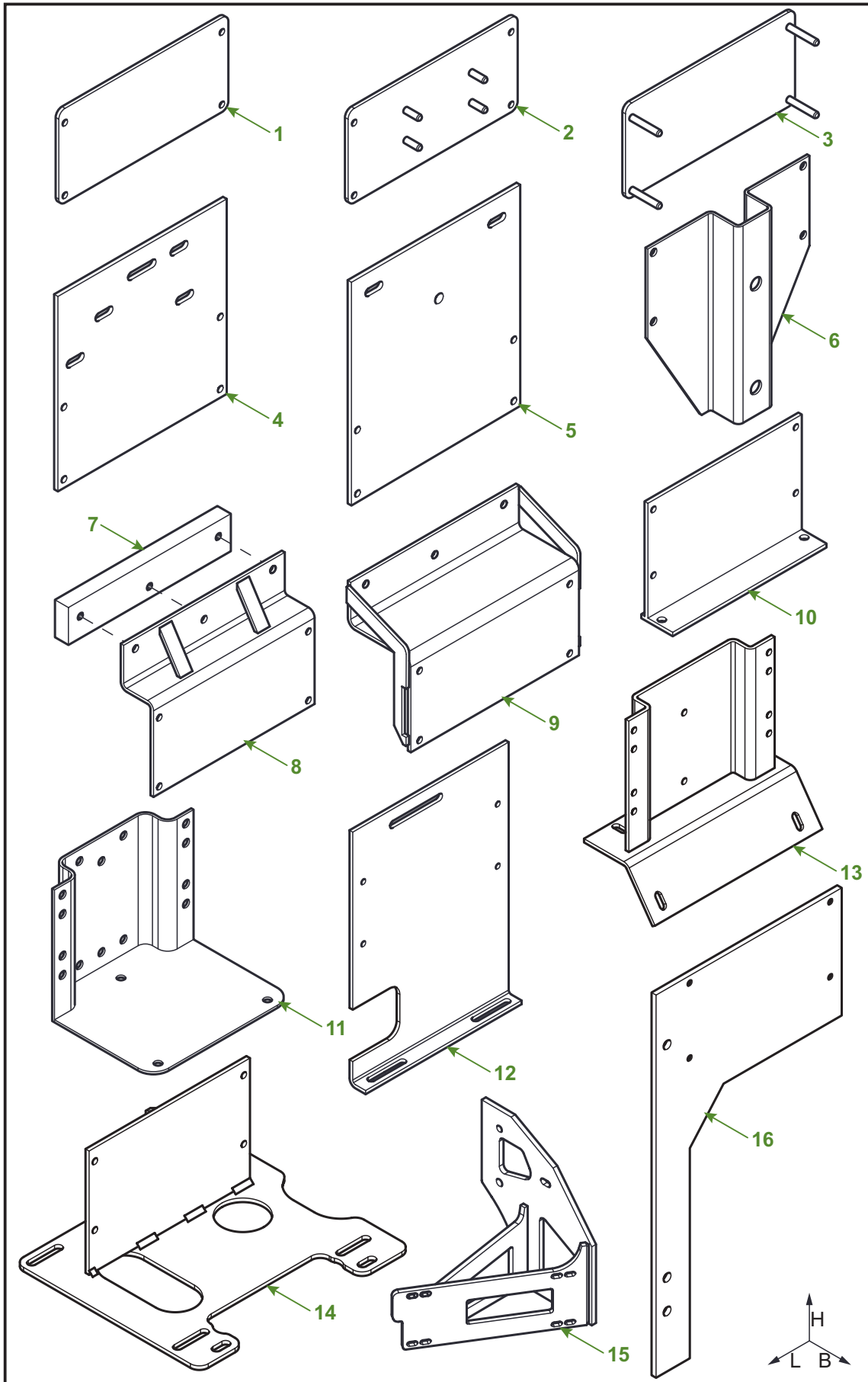
1.2 Brackets pneumatic pump



Pos.	Part Number	B	H	L	Material
1	F102171	5 mm	230 mm	160 mm	steel
2	F102172	45 mm	235 mm	160 mm	steel
3	F102174	55 mm	155 mm	160 mm	steel
4	F105095	105 mm	180 mm	170 mm	steel
5	F122933	268 mm	360 mm	190 mm	steel

Release date: December 2019

1.3 Brackets electrical pump



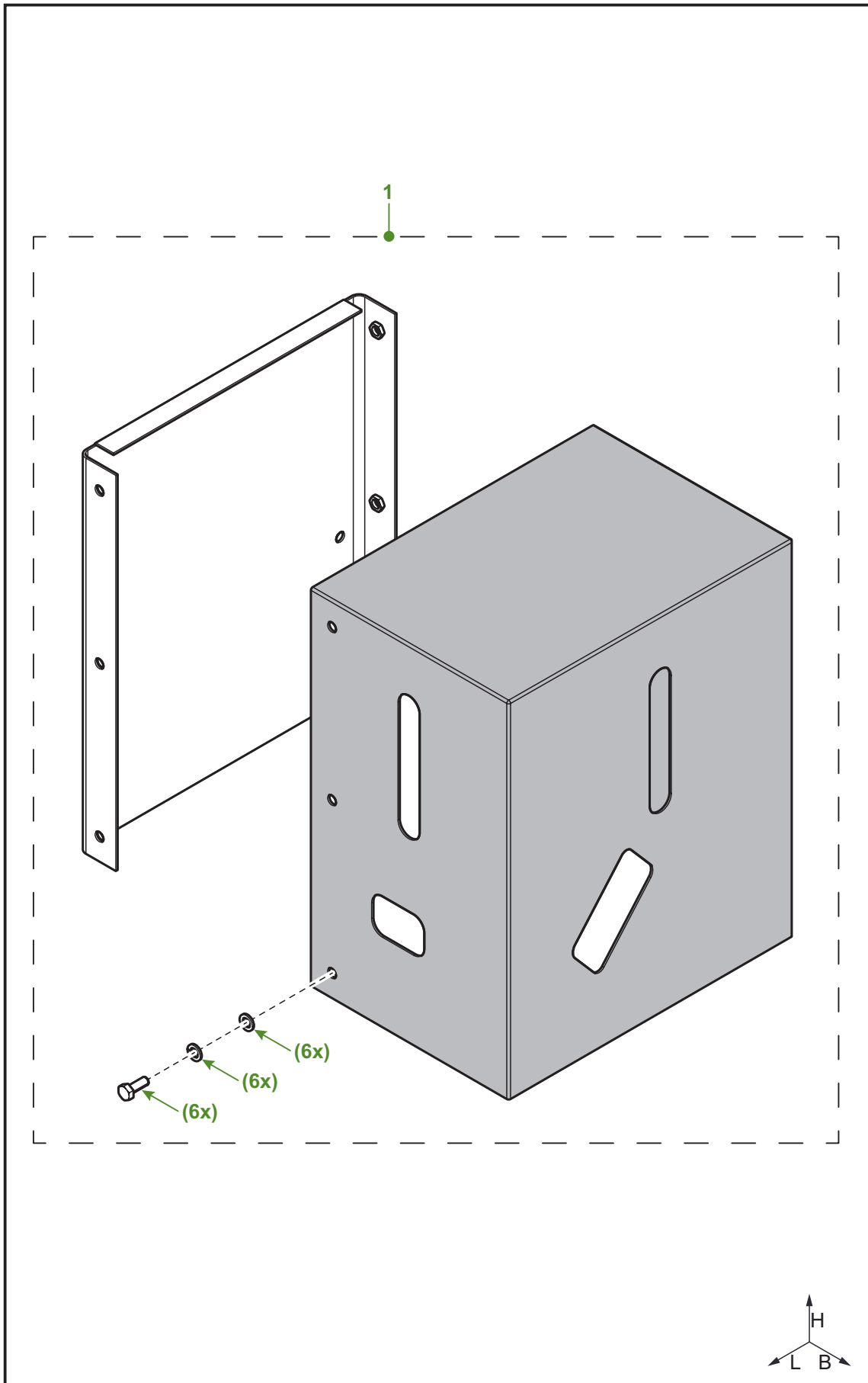
Release date: December 2019

Parts Manual Brackets

Pos.	Part Number	B	H	L	Material
1	F105957	5 mm	130 mm	270 mm	steel
2	F102302	5 mm	130 mm	270 mm	steel
3	F107777	5 mm	130 mm	270 mm	steel
	F602108	5 mm	130 mm	270 mm	inox
4	F173347	6 mm	270 mm	270 mm	steel
	F201814	6 mm	270 mm	270 mm	inox
5	F207306	8 mm	330 mm	270 mm	steel
	F679743	8 mm	330 mm	270 mm	inox
6	F110732	54 mm	285 mm	280 mm	steel
7	F109117	15 mm	60 mm	270 mm	steel
8	F108039	55 mm	195 mm	270 mm	steel
	F724821	55 mm	195 mm	270 mm	inox
9	F108038	105 mm	195 mm	280 mm	steel
10	F202863	80 mm	181 mm	270 mm	steel
11	F204517	198 mm	216 mm	280 mm	steel
	F617503	198 mm	216 mm	280 mm	inox
12	F202550	40 mm	420 mm	270 mm	steel
13	F601910	110 mm	300 mm	310 mm	steel
14	F209453	262 mm	335 mm	300 mm	steel
15	F213924	310 mm	180 mm	355 mm	steel
16	F632681	8 mm	510 mm	330 mm	steel

Release date: December 2019

1.4 Protection box for Twin-3.1 pump 4 liter



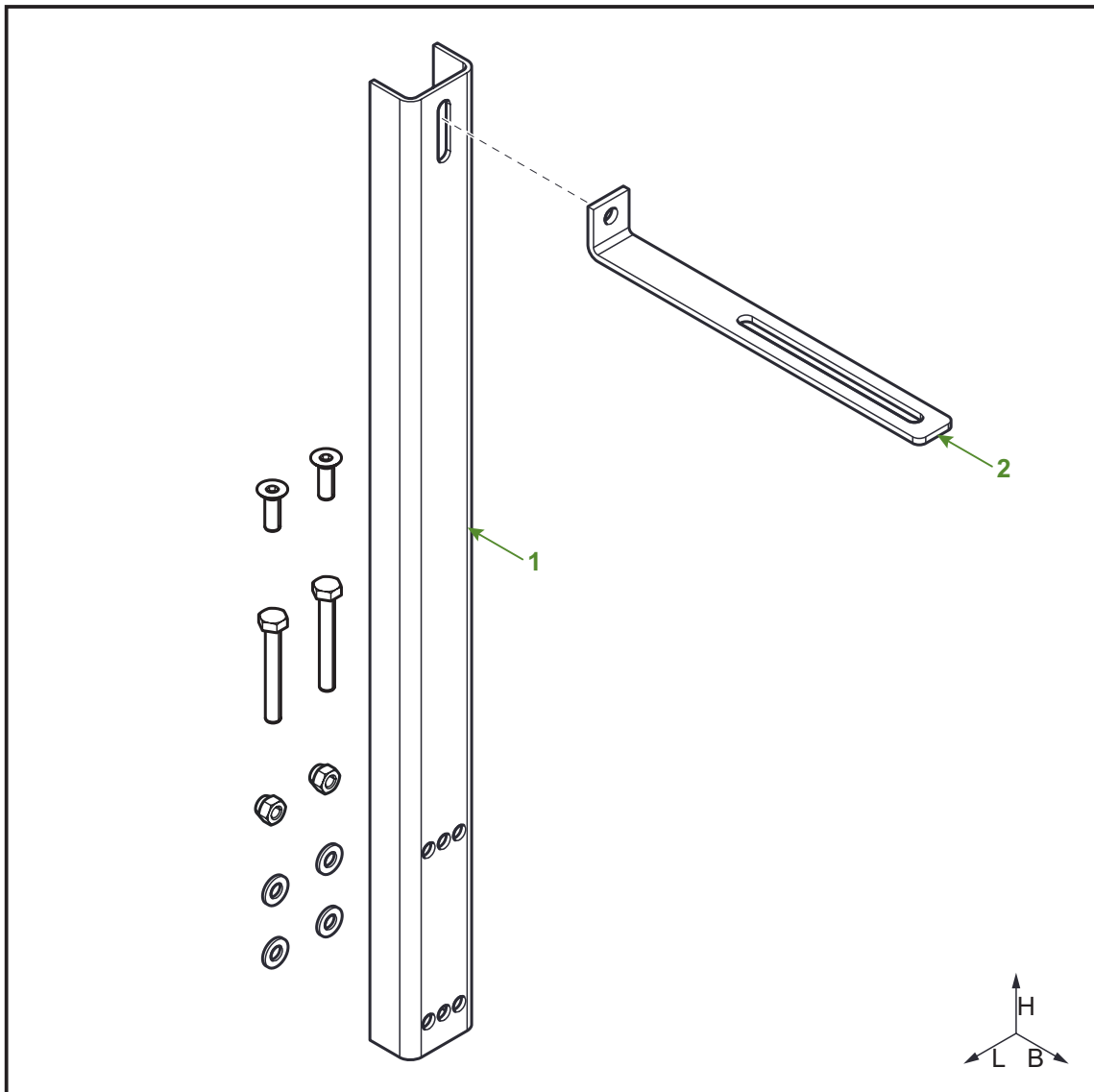
Release date: December 2019

Parts Manual Brackets

<i>Pos.</i>	<i>Part Number</i>	<i>B</i>	<i>H</i>	<i>L</i>	<i>Material</i>
1	F699074	215 mm	372 mm	304 mm	steel

Release date: December 2019

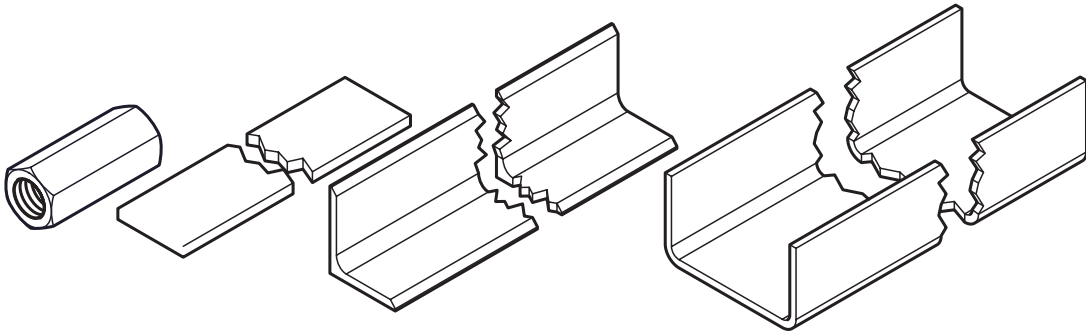
1.5 Brackets 8 liter pump



Pos.	Part Number	B	H	L	Material
1	F176610	30 mm	615 mm	70 mm	steel
	F699931	30 mm	615 mm	70 mm	inox
2	F116961	190 mm	30 mm	30 mm	steel
	F606893	190 mm	30 mm	30 mm	inox
	F202551	135 mm	40 mm	30 mm	steel

Release date: December 2019

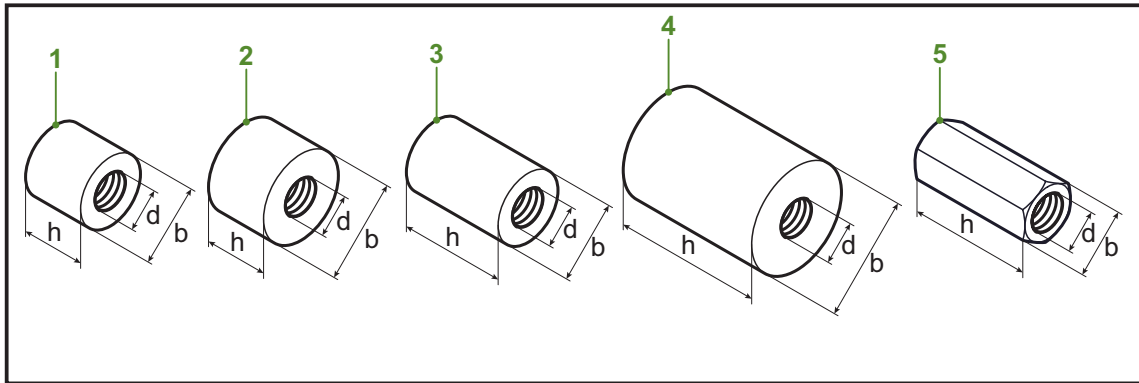
2. WELDING BLOCKS / STRIPS



Release date: December 2019

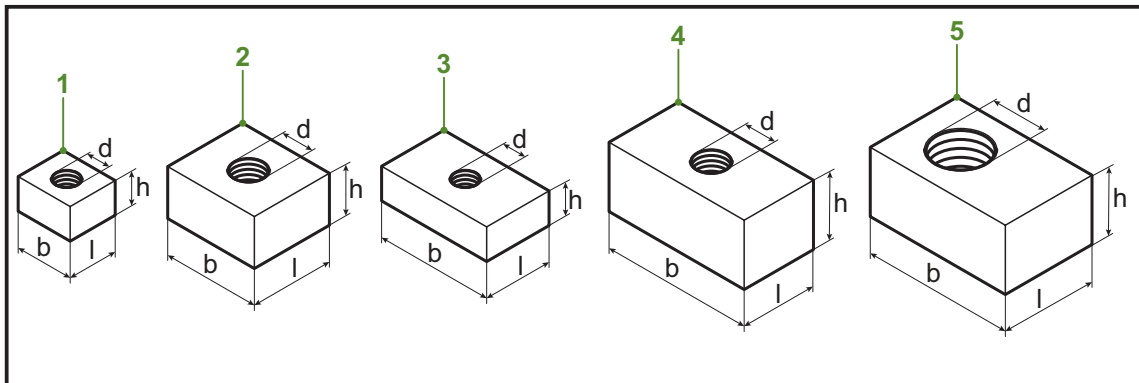


2.1 Threaded welding bushes / nuts (fully threaded)



Pos.	Part Number	b	h	d	Material
1	F131208	∅20 mm	15 mm	M10x1.5	steel
2	F108294	∅ 25 mm	15 mm	M10x1.5	steel
3	F108914	∅ 20 mm	25 mm	M10x1.5	steel
4	F176940	∅ 30 mm	35 mm	M10x1.5	steel
5	F170566	17 mm	30 mm	M10x1.5	steel

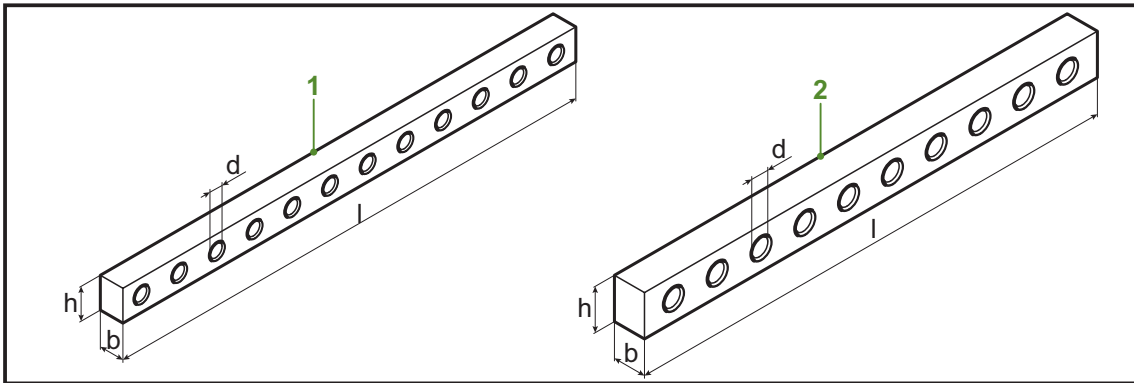
2.2 Threaded welding blocks (fully threaded)



Pos.	Part Number	b	h	l	d	Material
1	F170025	15 mm	10 mm	15 mm	M8x1.25	steel
2	F178137	25 mm	15 mm	25 mm	G1/8"	steel
3	F176943	35 mm	10 mm	18 mm	M8x1.25	steel
4	F108316	40 mm	20 mm	20 mm	M10x1.5	steel
5	F105234	45 mm	20 mm	25 mm	G1/4"	steel

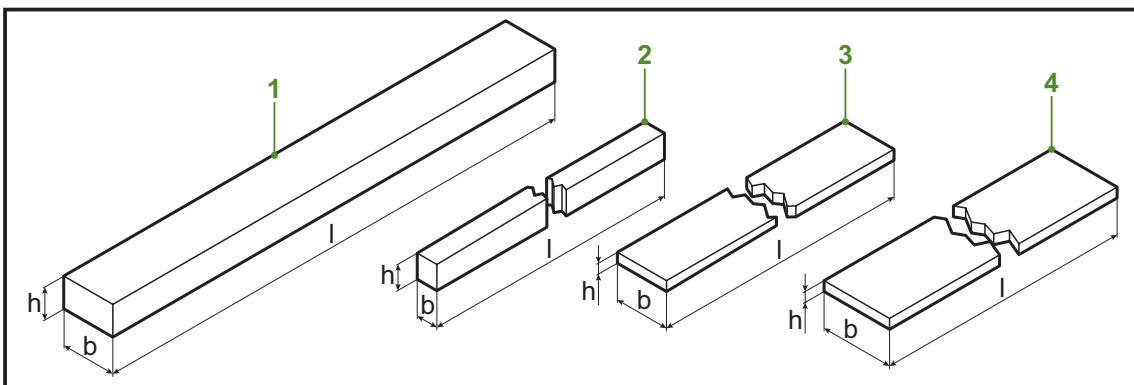
Release date: December 2019

2.3 Welding strips (fully threaded, order per hole)



Pos.	Part Number	b	h	l	d	Material
1	F105978	15 mm	20 mm	300 mm	G1/8"	steel
2	F105979	20 mm	25 mm	300 mm	G1/4"	steel

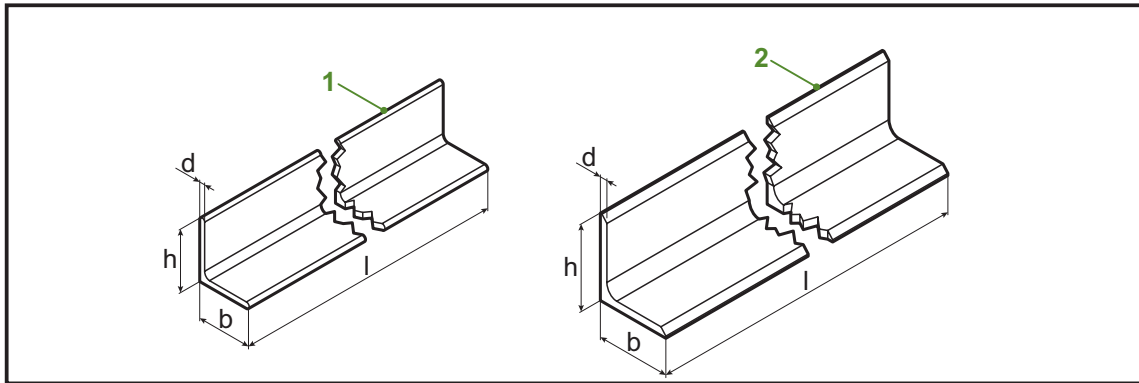
2.4 Flat bar iron



Pos.	Part Number	b	h	l	Material
1	F106706	30 mm	15 mm	270 mm	steel
2	F657184	12 mm	12 mm	1000 mm	steel
	F124317	12 mm	12 mm	2000 mm	steel
3	F657187	30 mm	5 mm	1000 mm	steel
	F657188	30 mm	5 mm	2000 mm	steel
4	F602808	40 mm	5 mm	1000 mm	steel
	F657190	40 mm	5 mm	2000 mm	steel

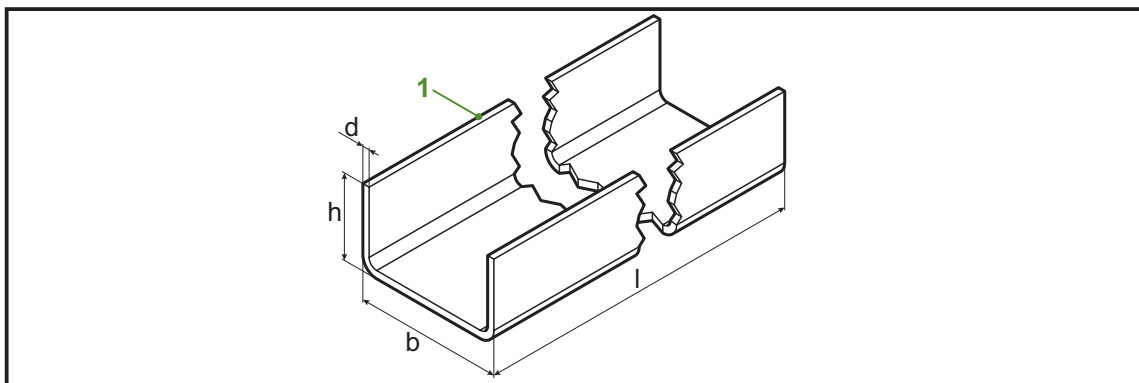
Release date: December 2019

2.5 Angle iron



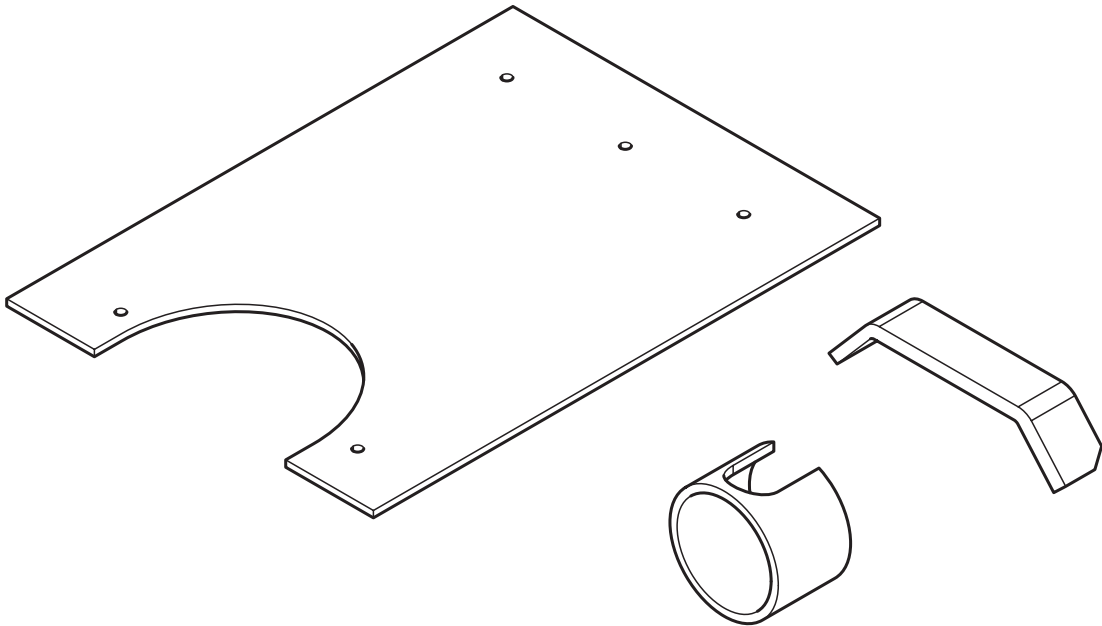
Pos.	Part Number	b	h	l	d	Material
1	F124085	30 mm	30 mm	1000 mm	3 mm	steel
	F124274	30 mm	30 mm	2000 mm	3 mm	steel
2	F122706	40 mm	40 mm	1000 mm	4 mm	steel
	F118909	40 mm	40 mm	2000 mm	4 mm	steel

2.6 U-profile



Pos.	Part Number	b	h	l	d	Material
1	F657194	80 mm	40 mm	1000 mm	4 mm	steel
	F601530	80 mm	40 mm	2000 mm	4 mm	steel

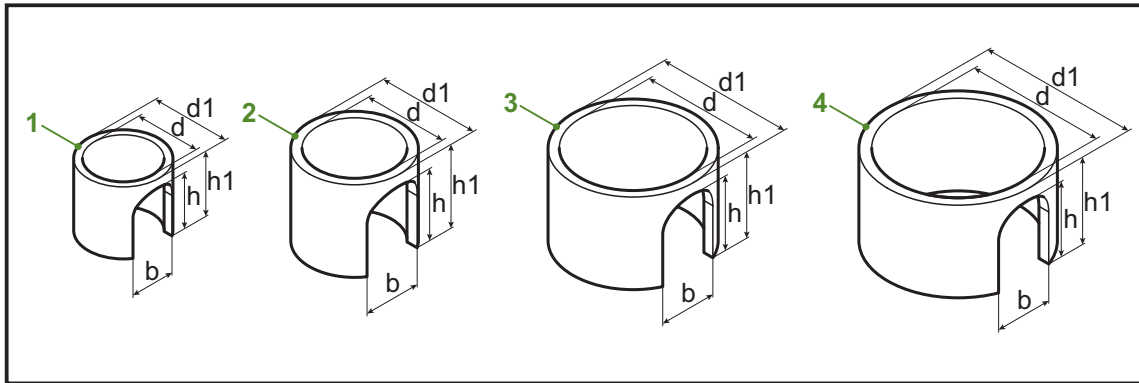
3. PROTECTION



Release date: December 2019

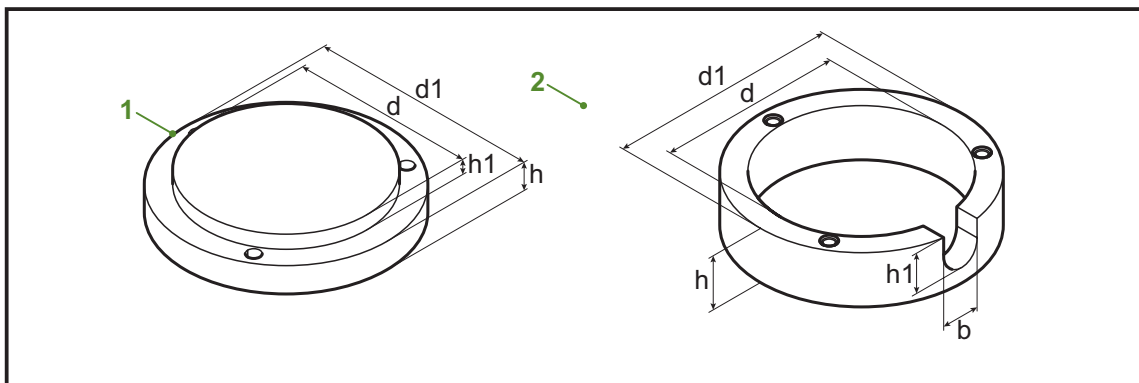


3.1 Protection rings



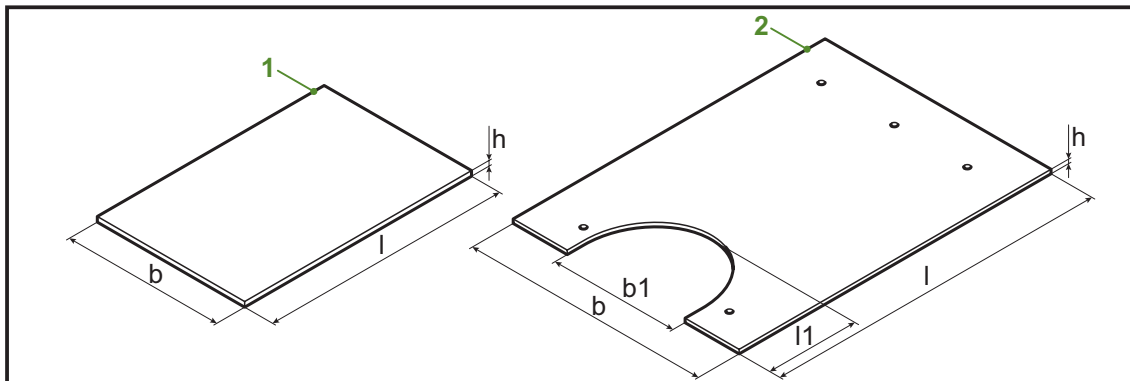
Pos.	Part Number	b	d	d1	h	h1	Material
1	F110949	15 mm	27.7 mm	35 mm	25 mm	35 mm	steel
2	F209770	25 mm	37 mm	45 mm	35 mm	40 mm	steel
3	F105110	25 mm	52 mm	60 mm	35 mm	40 mm	steel
4	F105109	25 mm	61 mm	70 mm	35 mm	40 mm	steel

3.2 Protection rings with cover plate



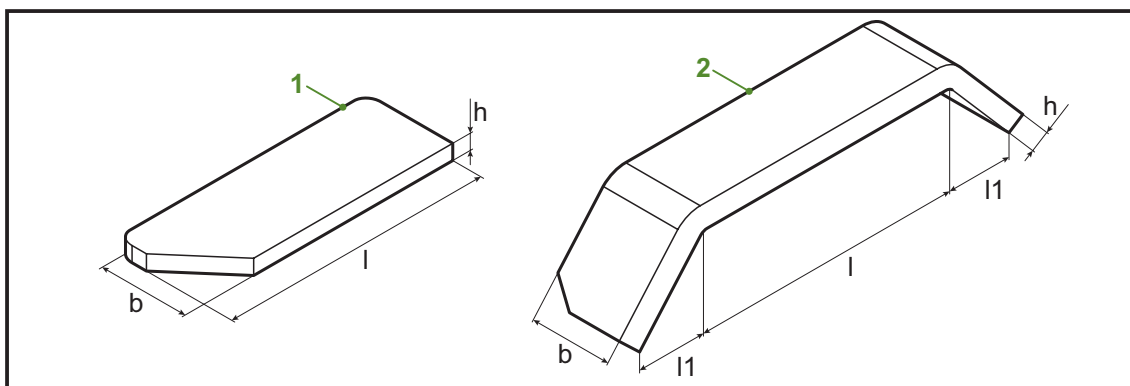
Pos.	Part Number	b	d	d1	h	h1	Material
1	F206765	-	120 mm	150 mm	15 mm	8 mm	steel
2	F206764	25 mm	120 mm	150 mm	35 mm	25 mm	steel

3.3 Protection plates



Pos.	Part Number	b	b1	l	l1	h	Material
1	F105992	160 mm	-	230 mm	-	5 mm	steel
	F106700	200 mm	-	250 mm	-	8 mm	steel
	F108299	250 mm	-	400 mm	-	8 mm	steel
	F106701	280 mm	-	300 mm	-	8 mm	steel
	F206457	300 mm	-	400 mm	-	10 mm	steel
	F122922	400 mm	-	400 mm	-	8 mm	steel
2	F177928	350 mm	214 mm	500 mm	120 mm	8 mm	steel
	F177917	460 mm	240 mm	550 mm	150 mm	8 mm	steel

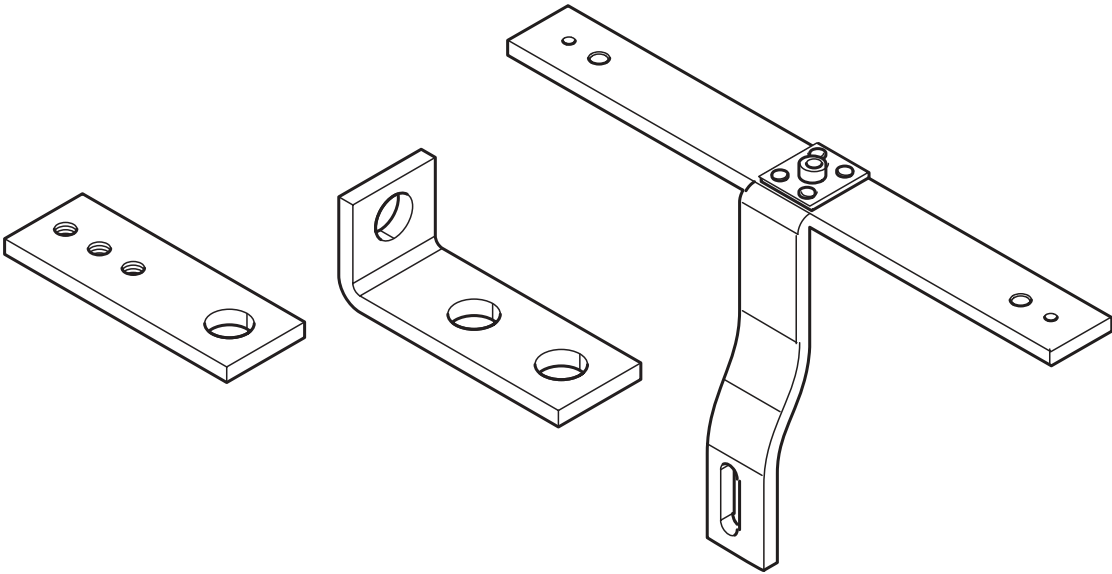
3.4 Protection brackets



Pos.	Part Number	b	b1	l	l1	h	Material
1	F177610	30 mm	-	100 mm	-	6 mm	steel
2	F107142	30 mm	-	89 mm	27 mm	6 mm	steel
	F106671	35 mm	-	103 mm	37 mm	8 mm	steel

Release date: December 2019

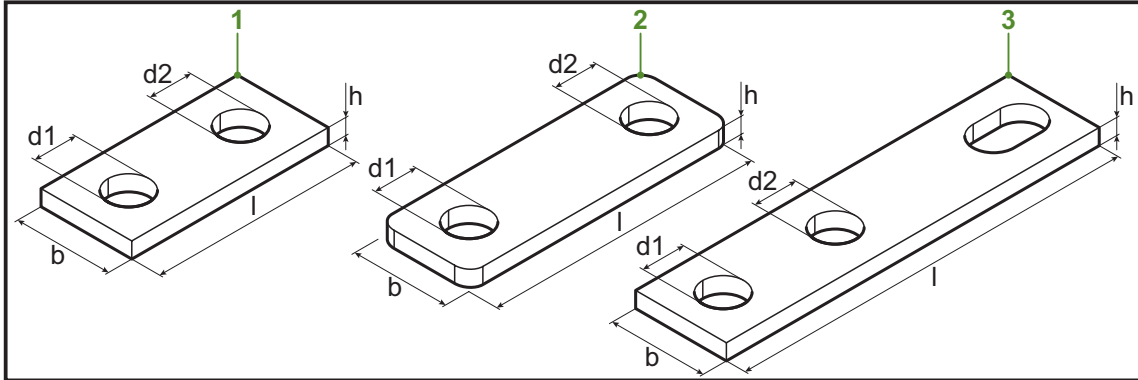
4. MOUNTING BRACKETS



Release date: December 2019

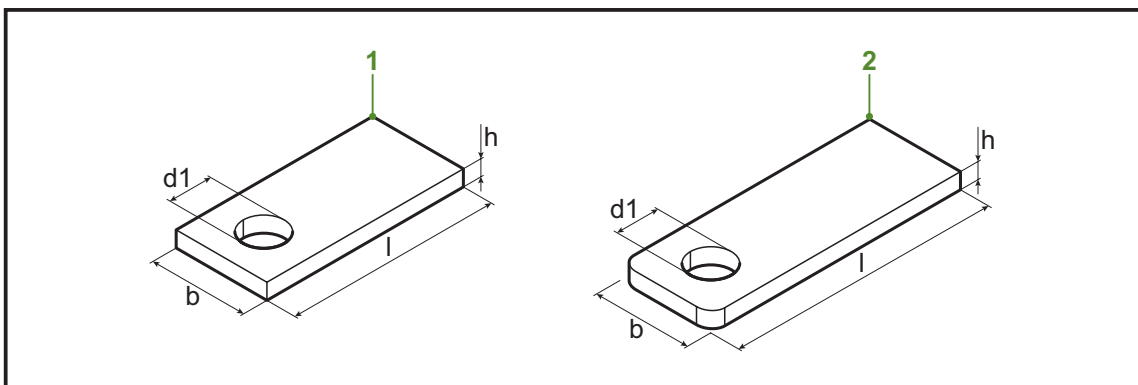


4.1 Brackets flat



Pos.	Part Number	b	l	h	d1	d2	Material
1	F107981	30 mm	75 mm	5 mm	ø11	ø11	steel
	F724822	30 mm	75 mm	5 mm	ø11	ø11	inox
	F200625	30 mm	75 mm	5 mm	ø11	ø14	steel
	F173846	30 mm	75 mm	5 mm	ø16.5	ø16.5	steel
	F173472	30 mm	150 mm	6 mm	ø10.5	ø13	steel
	F201815	30 mm	150 mm	6 mm	ø10.5	ø13	inox
2	F204091	30 mm	100 mm	6 mm	ø10.5	ø12	steel
	F109116	30 mm	115 mm	6 mm	ø10.5	ø10.5	steel
	F108504	30 mm	130 mm	6 mm	ø10.5	ø10.5	steel
	F108601	30 mm	170 mm	6 mm	ø10.5	ø10.5	steel
	F173845	30 mm	170 mm	6 mm	ø10.5	ø16.5	steel
3	F107922	30 mm	200 mm	5 mm	ø11	ø9	steel

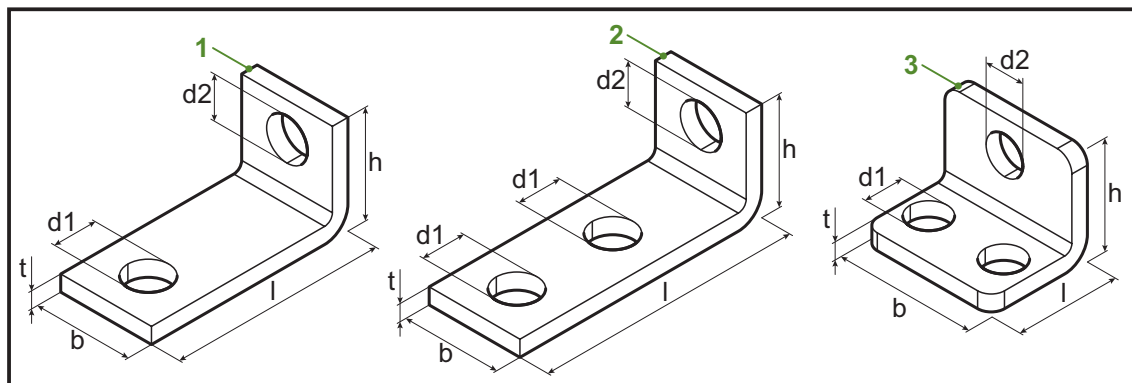
4.2 Welding brackets flat



Pos.	Part Number	b	l	h	d1	d2	Material
1	F105219	30 mm	60 mm	5 mm	ø10.5	-	steel
2	F109664	30 mm	140 mm	6 mm	ø10.5	-	steel

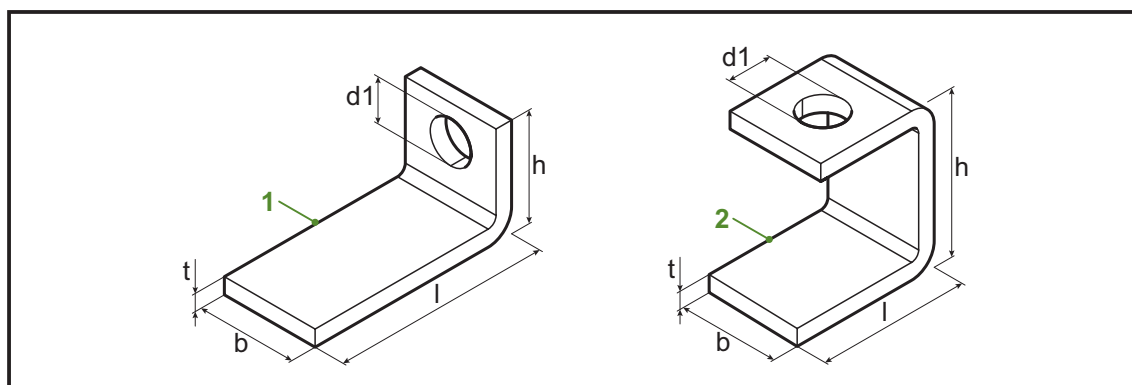
Release date: December 2019

4.3 Brackets right angle



Pos.	Part Number	b	l	h	t	d1	d2	Material
1	F171689	25 mm	40 mm	30 mm	5 mm	∅10.5	∅10.5	steel
	F102253	30 mm	103 mm	55 mm	5 mm	∅10.5	∅10.5	steel
	F102158	30 mm	103 mm	55 mm	5 mm	∅10.5	∅14.5	steel
	F107808	30 mm	150 mm	30 mm	5 mm	∅10.5	∅8.5	steel
2	F207307	30 mm	70 mm	50 mm	5 mm	∅10.5	∅10.5	steel
	F642791	30 mm	70 mm	50 mm	5 mm	∅10.5	∅10.5	inox
	F108752	30 mm	90 mm	180 mm	6 mm	∅13	∅13	steel
3	F109665	50 mm	40 mm	40 mm	5 mm	∅10.5	∅10.5	steel

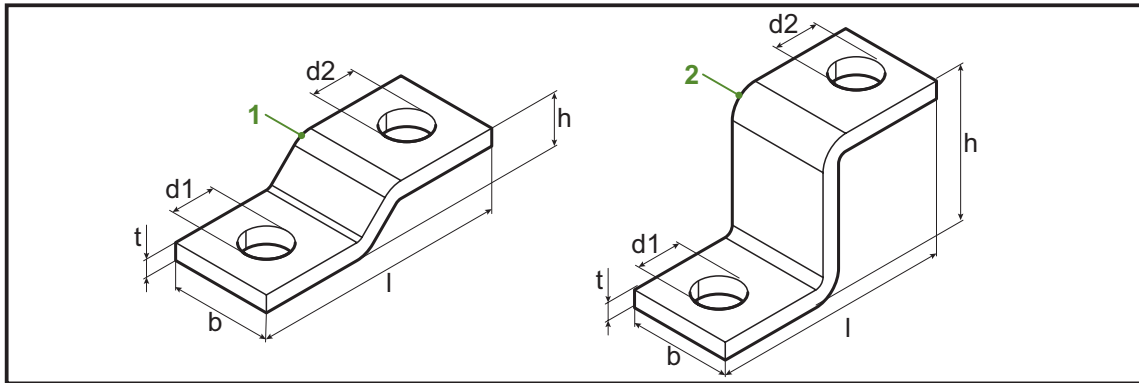
4.4 Welding brackets U and right angle



Pos.	Part Number	b	l	h	t	d1	d2	Material
1	F108856	25 mm	70 mm	45 mm	6 mm	∅11	-	steel
2	F108298	30 mm	50 mm	45 mm	5 mm	∅10	-	steel

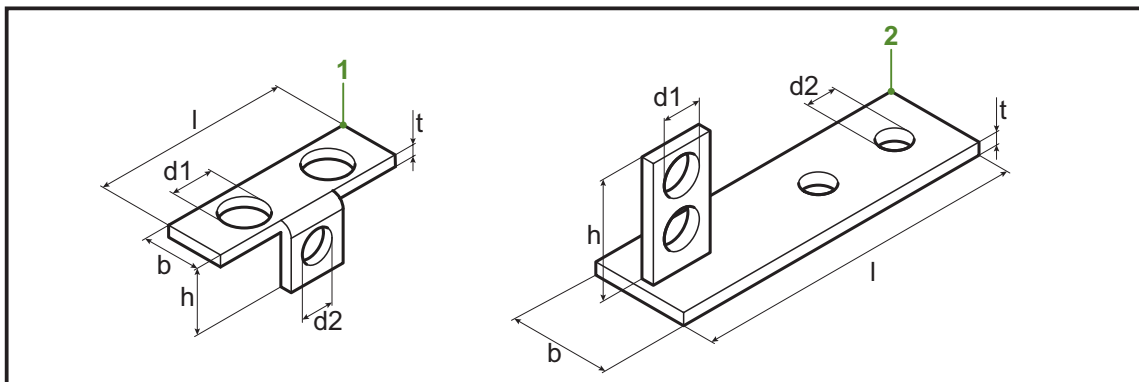
Release date: December 2019

4.5 Z brackets



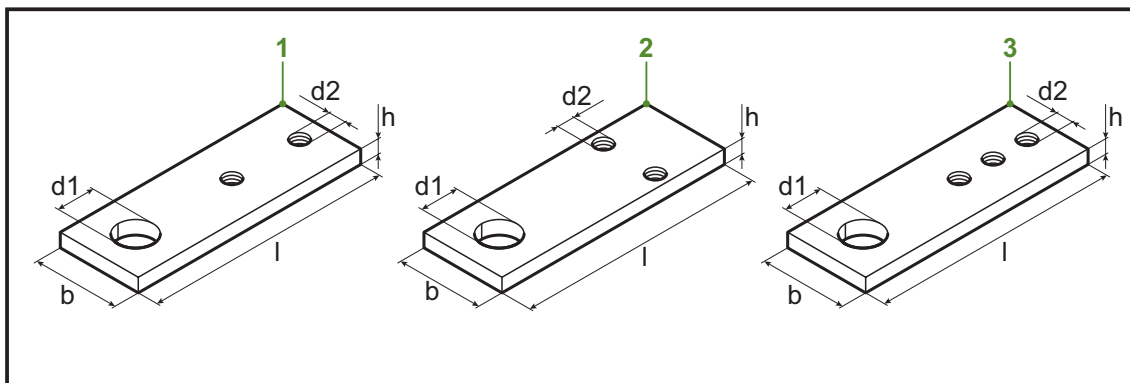
Pos.	Part Number	b	l	h	t	d1	d2	Material
1	F110838	25 mm	70 mm	22 mm	3 mm	ø12.5	ø12.5	steel
2	F107982	30 mm	96 mm	35 mm	6 mm	ø11	ø18	steel
	F109118	30 mm	96 mm	35 mm	6 mm	ø11	-	steel
	F107846	40 mm	96 mm	70 mm	4 mm	ø11	ø13	steel

4.6 Brackets for bulkhead couplings



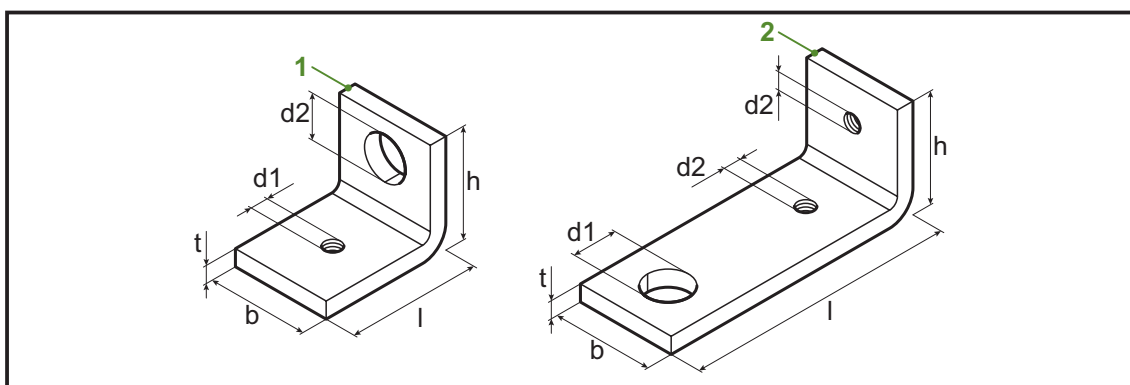
Pos.	Part Number	b	l	h	t	d1	d2	Material
1	F202553	30 mm	75 mm	40 mm	6 mm	ø16.5	ø10.5	steel
2	F206936	30 mm	150 mm	55 mm	6 mm	ø16.5	ø10.5	steel
	F682627	30 mm	150 mm	55 mm	6 mm	ø16.5	ø10.5	inox

4.7 Brackets flat, block clamps



Pos.	Part Number	b	l	h	$d1$	$d2$	Material
1	F107536	30 mm	90 mm	5 mm	$\varnothing 13$	M6x1	steel
	F177687	30 mm	90 mm	5 mm	$\varnothing 13$	M6x1	inox
	F108319	30 mm	90 mm	5 mm	$\varnothing 20$	M6x1	steel
	F642810	30 mm	90 mm	5 mm	$\varnothing 20$	M6x1	inox
	F108970	30 mm	120 mm	5 mm	$\varnothing 10.5$	M6x1	steel
	F178006	30 mm	70 mm	6 mm	$\varnothing 13$	M6x1	steel
3	F170023	30 mm	70 mm	6 mm	$\varnothing 13$	M6x1	steel
	F178463	30 mm	70 mm	6 mm	$\varnothing 13$	M6x1	inox

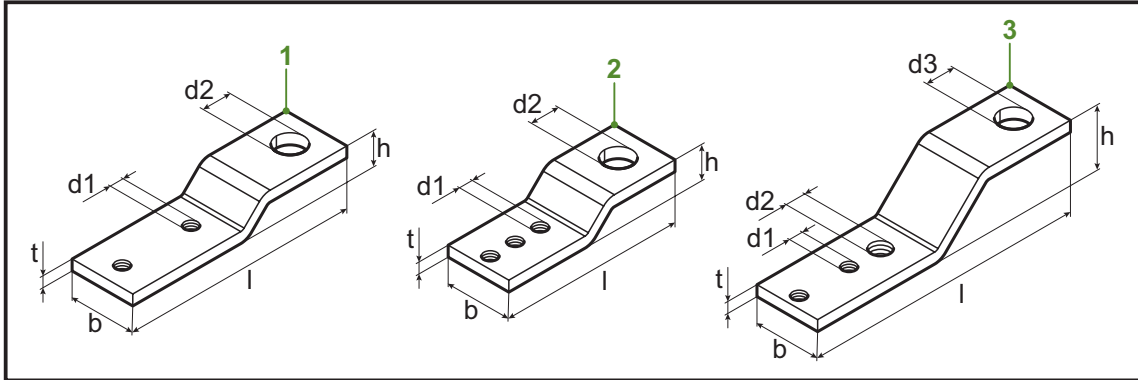
4.8 Brackets right angle, block clamps



Pos.	Part Number	b	l	h	t	$d1$	$d2$	Material
1	F107786	25 mm	40 mm	30 mm	5 mm	M6x1	$\varnothing 13$	steel
	F177686	25 mm	40 mm	30 mm	5 mm	M6x1	$\varnothing 13$	inox
2	F109694	30 mm	120 mm	30 mm	5 mm	$\varnothing 8.5$	M6x1	steel

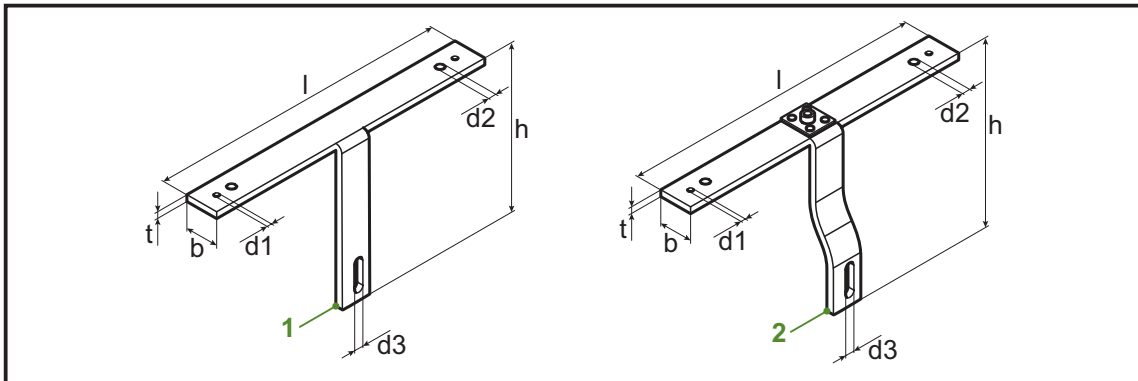
Release date: December 2019

4.9 Z brackets, block clamps



Pos.	Part Number	b	l	h	t	d1	d2	d3	Material
1	F174536	30 mm	160 mm	21 mm	6 mm	M6x1	ø12.5	-	steel
	F177693	30 mm	160 mm	21 mm	6 mm	M6x1	ø12.5	-	inox
2	F170024	30 mm	90 mm	21 mm	6 mm	M6x1	ø12	-	steel
3	F108857	30 mm	152 mm	60 mm	5 mm	M6x1	M10x1.5	ø20	steel

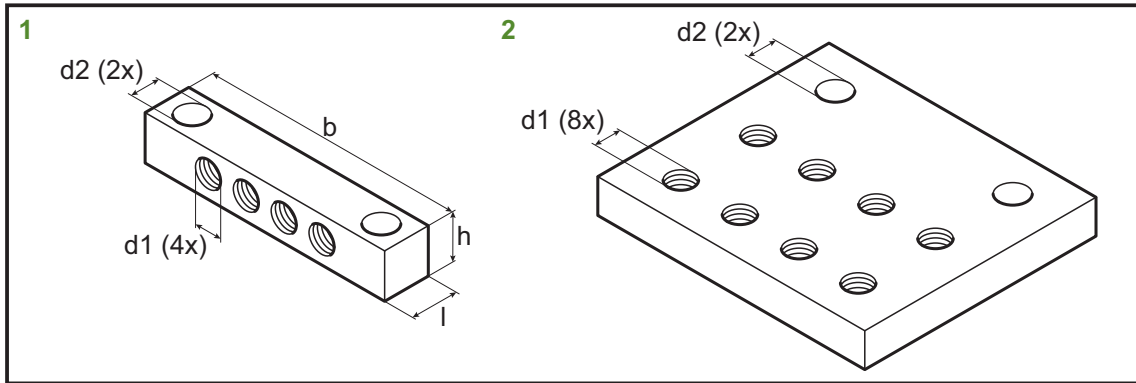
4.10 T brackets, block clamps



Pos.	Part Number	b	l	h	t	d1	d2	d3	Material
1	F108915	40 mm	360 mm	200mm	8 mm	M6x1	M10x1.5	11 mm	steel
2	F108916	40 mm	360 mm	200mm	8 mm	M6x1	M10x1.5	11 mm	steel

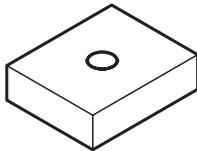
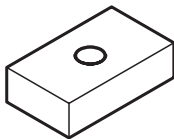
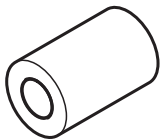
Release date: December 2019

4.11 Mounting plate centralisation



Pos.	Part Number	b	l	h	t	d1	d2	d3	Material
1	F658148	95	15	15		G1/8"	ø10		inox
2	F658151	90	90	15		G1/8"	ø10		inox

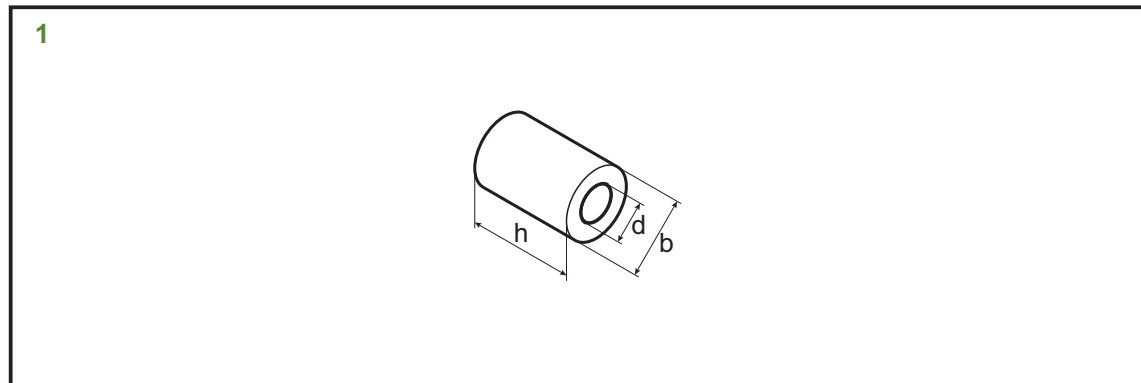
5. SPACERS



Release date: December 2019

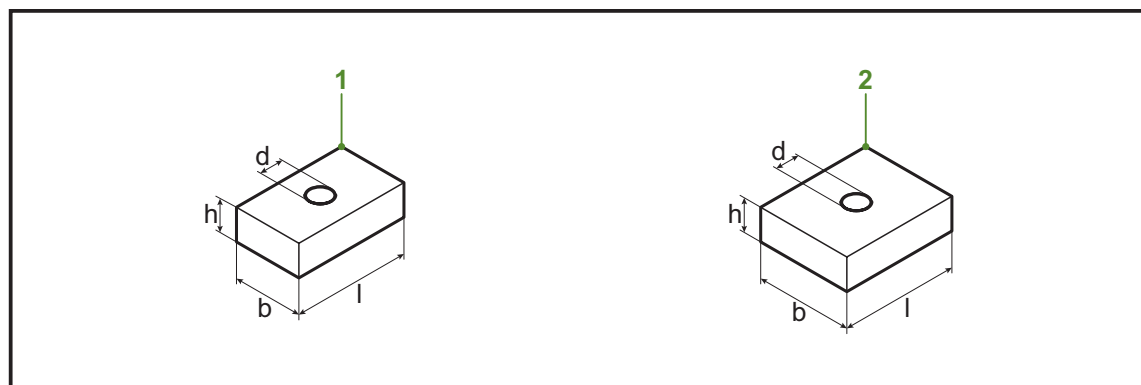


5.1 Spacers, round



Pos.	Part Number	b	h	d	Material
1	F207318	ø16	21 mm	ø9	steel
	F642792	ø16	21 mm	ø9	inox
	F108946	ø20	10 mm	ø10	steel
	F642811	ø20	10 mm	ø10	inox
	F108386	ø20	14 mm	ø10	steel
	F107532	ø20	20 mm	ø10.5	steel
	F108374	ø20	28 mm	ø10	steel
	F642795	ø20	28 mm	ø10	inox
	F171322	ø20	32 mm	ø10	steel
	F174650	ø20	40 mm	ø10.5	steel
	F171301	ø20	60 mm	ø10	steel
	F108971	ø20	80 mm	ø10	steel

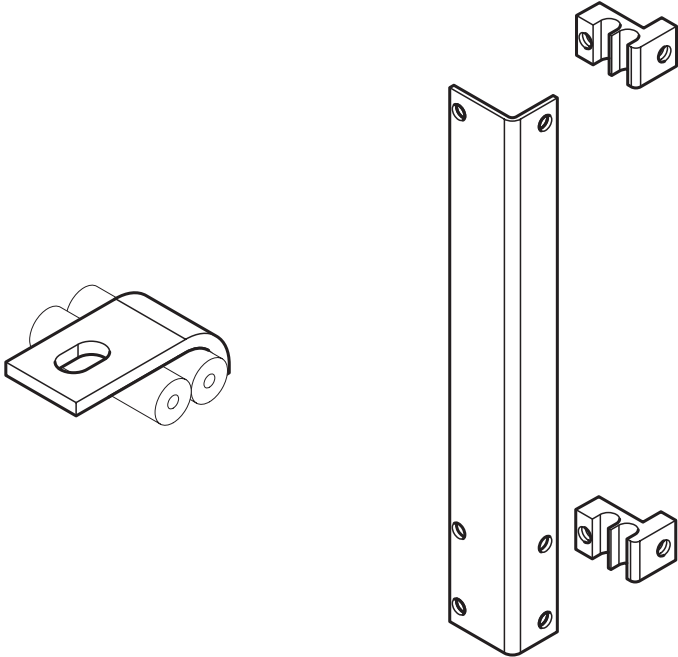
5.2 Spacers, square



Pos.	Part Number	b	l	h	d	Material
1	F173292	18 mm	35 mm	10 mm	ø8.5	steel
	F177694	18 mm	35 mm	10 mm	ø8.5	inox
2	F108420	30 mm	35 mm	10 mm	ø7	steel

Release date: December 2019

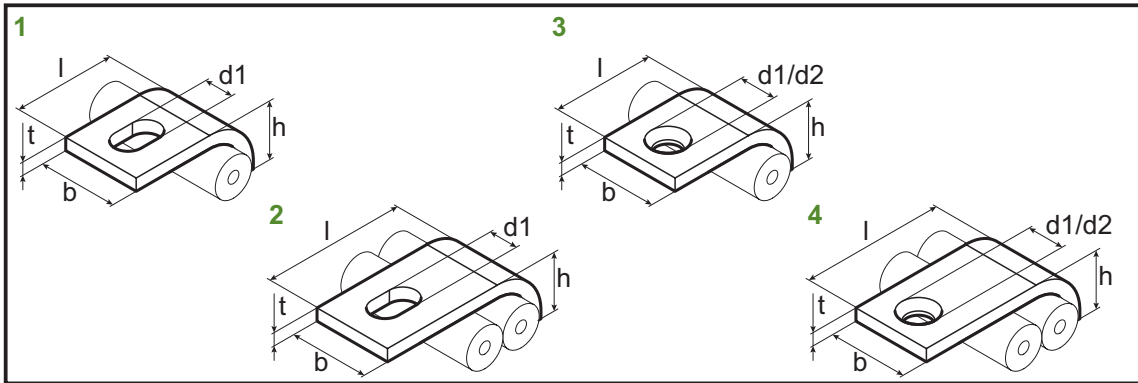
6. TUBE / HOSE CLAMPS



Release date: December 2019

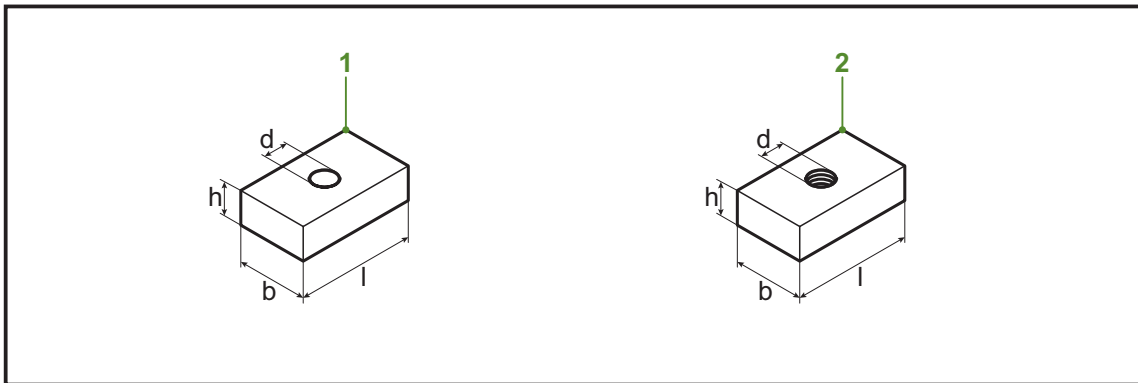


6.1 Clamps, tube 10 mm



Pos.	Part Number	b	l	h	t	d1	d2	Material
1	F173293	35 mm	35 mm	15mm	5 mm	9 mm	-	steel
	F177688	35 mm	35 mm	15mm	5 mm	9 mm	-	inox
2	F176944	35 mm	45 mm	15mm	5 mm	9 mm	-	steel
3	F211944	35 mm	35 mm	15mm	5 mm	17 mm	9 mm	steel
4	F211945	35 mm	45 mm	15mm	5 mm	17 mm	9 mm	steel

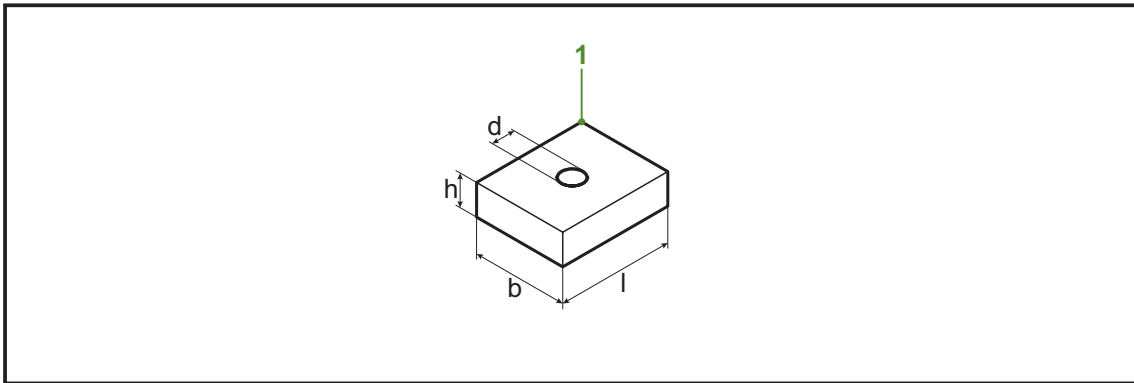
6.2 Filler - welding blocks, clamps tube 10 mm



Pos.	Part Number	b	l	h	d	Material
1	F173292	18 mm	35 mm	10 mm	ø8.5	steel
	F177694	18 mm	35 mm	10 mm	ø8.5	inox
2	F176943	18 mm	35 mm	10 mm	M8x1.25	steel

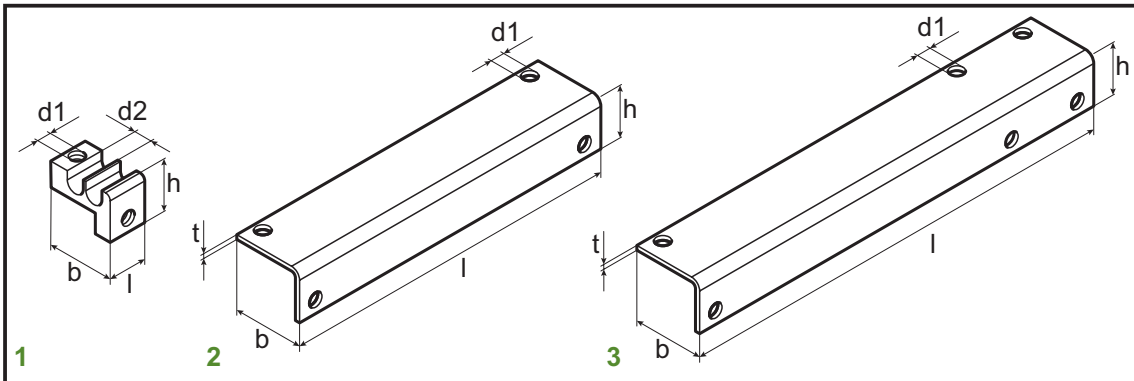
Release date: December 2019

6.3 Filler blocks, block clamps



Pos.	Part Number	b	l	h	d	Material
1	F108420	30 mm	35 mm	10 mm	ø7	steel

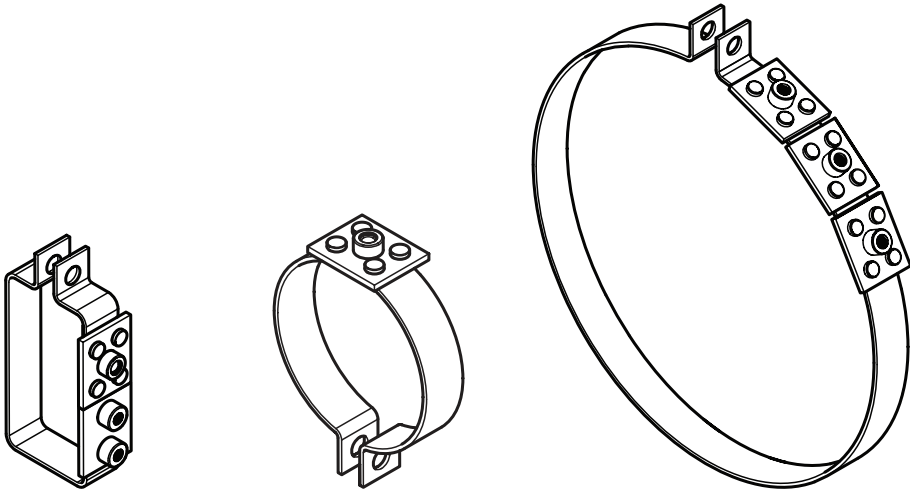
6.4 Linkage hose protection clamps



Pos.	Part Number	b	l	h	t	d1	d2	Material
1	F203906	50 mm	30 mm	35 mm	-	M10x1.5	12 mm	steel
2	F203907	56 mm	300 mm	41 mm	6 mm	ø10.5	-	steel
3	F203908	56 mm	400 mm	41 mm	6 mm	ø10.5	-	steel

Release date: December 2019

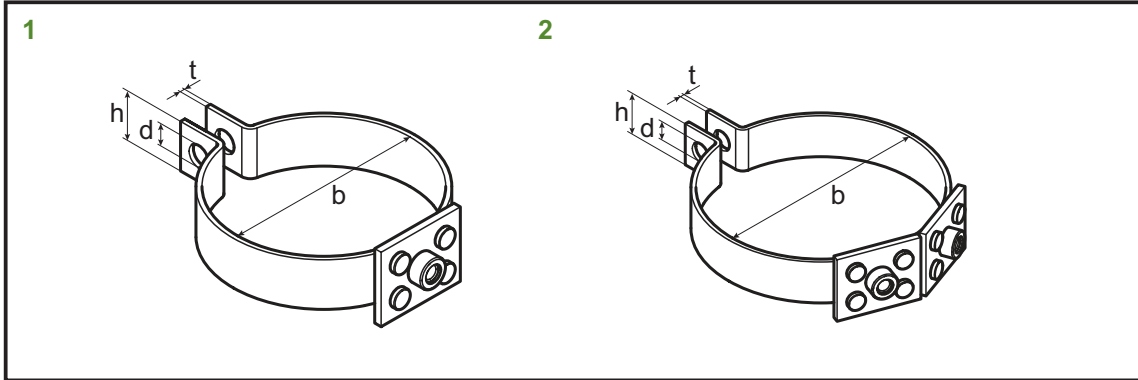
7. BRACKET CLAMPS



Release date: December 2019

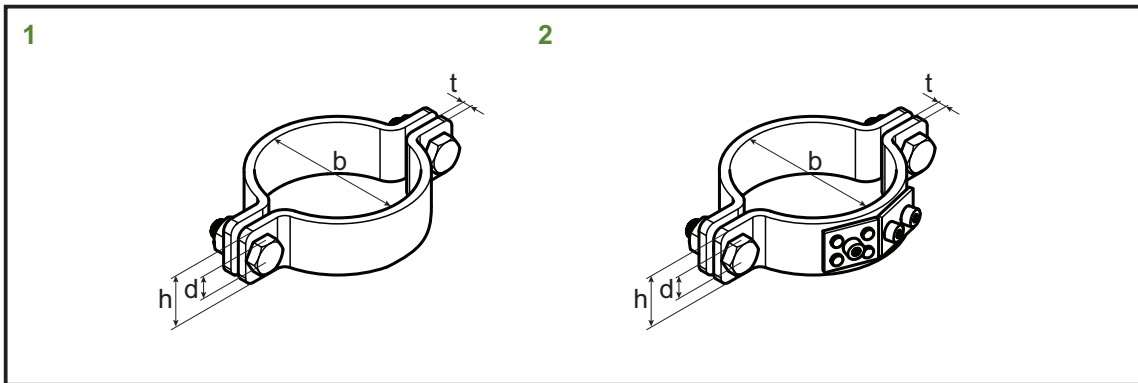


7.1 Bracket clamps, round / one bolt



Pos.	Part Number	b	h	t	d	Material
1	F107539	71.5 mm	20 mm	2 mm	ø9	steel
	F178688	71.5 mm	20 mm	2 mm	ø9	inox
	F107540	80.5 mm	20 mm	2 mm	ø9	steel
	F178466	80.5 mm	20 mm	2 mm	ø9	inox
	F107537	100 mm	20 mm	2 mm	ø9	steel
	2	F109012	100 mm	20 mm	2 mm	ø9
	F177691	100 mm	20 mm	2 mm	ø9	inox
	F204805	142 mm	20 mm	2 mm	ø9	steel
	F724865	142 mm	20 mm	2 mm	ø9	inox

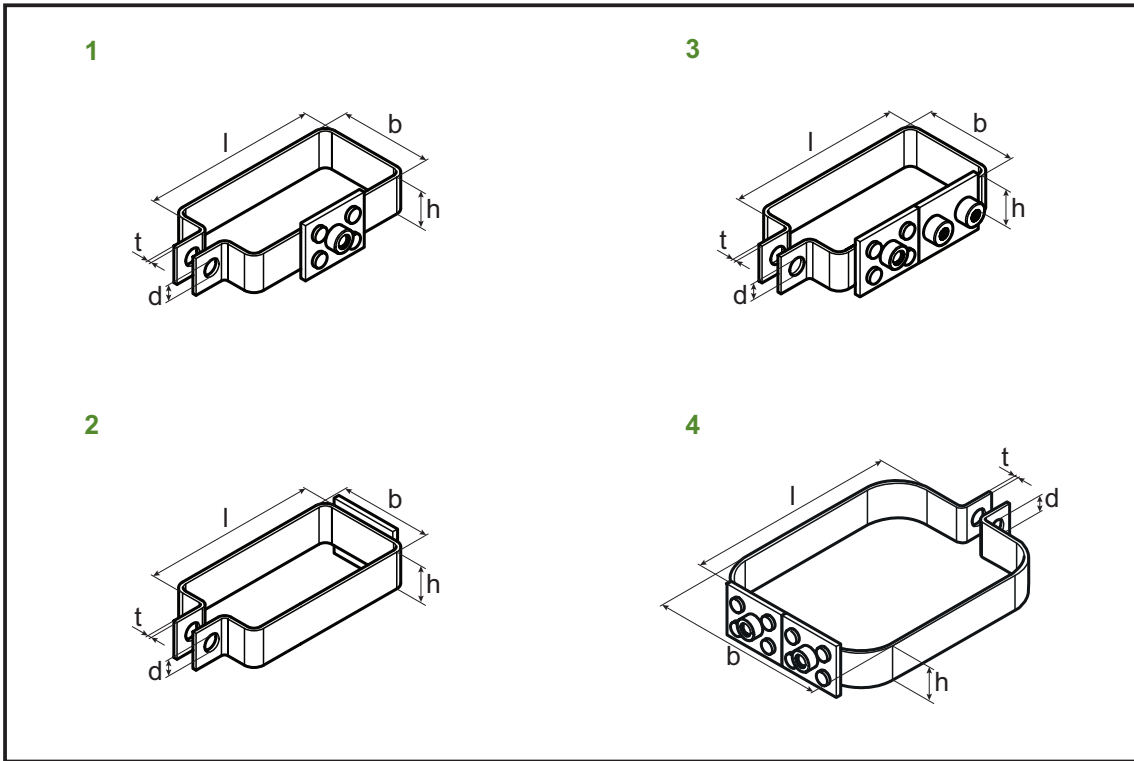
7.2 Bracket clamps, round / two bolts



Pos.	Part Number	b	h	t	d	Material
1	F105972	70 mm	30 mm	5 mm	ø10.5	steel
	F105973	80 mm	30 mm	5 mm	ø10.5	steel
2	F109114	70 mm	40 mm	5 mm	ø10.5	steel
	F108967	80 mm	40 mm	5 mm	ø10.5	steel

Release date: December 2019

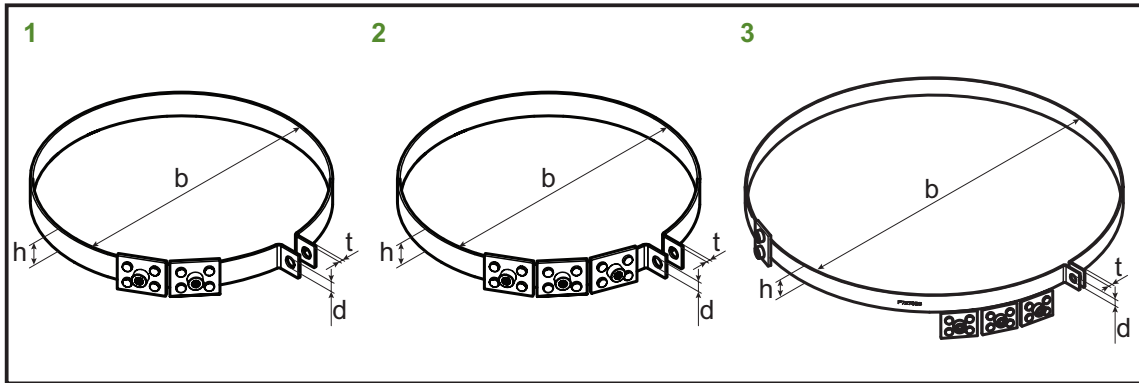
7.3 Bracket clamps, square



Pos.	Part Number	b	h	l	t	d	Material
1	F107544	35 mm	20 mm	86 mm	2 mm	ø9	steel
	F107570	51 mm	20 mm	96 mm	2 mm	ø9	steel
	F200766	51 mm	20 mm	96 mm	2 mm	ø9	inox
2	F611798	47 mm	20 mm	92 mm	2 mm	ø9	steel
	F682630	47 mm	20 mm	92 mm	2 mm	ø9	inox
3	F109318	31 mm	20 mm	85 mm	2 mm	ø9	steel
	F109516	34 mm	20 mm	85 mm	2 mm	ø9	steel
4	F108879	96 mm	20 mm	124 mm	2 mm	ø9	steel
	F724895	96 mm	20 mm	124 mm	2 mm	ø9	inox

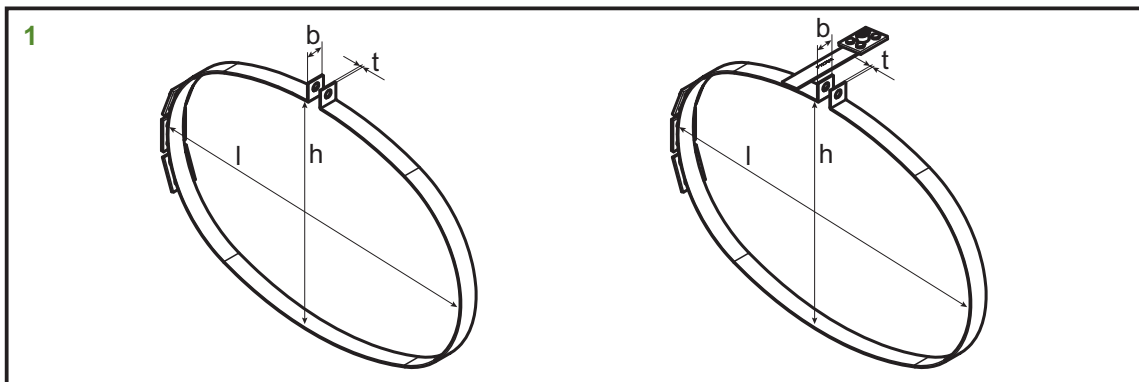
Release date: December 2019

7.5 Bracket clamps, round / large



Pos.	Part Number	b	h	t	d	Material
1	F205251	285 mm	20 mm	2 mm	ø9	steel
	F724866	285 mm	20 mm	2 mm	ø9	inox
	F170416	286.5 mm	20 mm	2 mm	ø9	steel
2	F173314	188 mm	20 mm	2 mm	ø9	steel
	F109317	220 mm	20 mm	2 mm	ø9	steel
	F131701	220 mm	20 mm	2 mm	ø9	inox
	F107780	300 mm	20 mm	2 mm	ø9	steel
3	F107779	340 mm	20 mm	2 mm	ø9	steel
	F207027	380 mm	20 mm	2 mm	ø9	steel
	F727859	380 mm	20 mm	2 mm	ø9	inox
	F107787	390 mm	20 mm	2 mm	ø9	steel
	F177690	390 mm	20 mm	2 mm	ø9	inox

7.4 Bracket clamps, oval / large



Pos.	Part Number	h	l	b	t	Material
1	F109111	230 mm	360 mm	20 mm	2 mm	steel
	F178686	230 mm	360 mm	20 mm	2 mm	inox
2	F617033	210 mm	350 mm	20 mm	2 mm	steel
	F682628	210 mm	350 mm	20 mm	2 mm	inox
	F617034	230 mm	360 mm	20 mm	2 mm	steel
	F685343	230 mm	360 mm	20 mm	2 mm	inox
	F643968	270 mm	400 mm	20 mm	2 mm	steel
	F727841	270 mm	400 mm	20 mm	2 mm	inox

Release date: December 2019

Index

F102158	23	F108914	14
F102171	7	F108915	26
F102172	7	F108916	26
F102174	7	F108946	30
F102253	23	F108967	36
F102302	9	F108970	25
F105095	7	F108971	30
F105109	18	F109012	36
F105110	18	F109111	38
F105219	22	F109114	36
F105234	14	F109116	22
F105957	9	F109117	9
F105972	36	F109118	24
F105973	36	F109317	38
F105978	15	F109318	37
F105979	15	F109516	37
F105992	19	F109664	22
F106671	19	F109665	23
F106700	19	F109694	25
F106701	19	F110732	9
F106706	15	F110838	24
F107142	19	F110949	18
F107532	30	F116961	12
F107536	25	F118909	16
F107537	36	F122081	6
F107539	36	F122706	16
F107540	36	F122922	19
F107544	37	F122933	7
F107570	37	F124085	16
F107777	9	F124317	15
F107779	38	F124724	16
F107780	38	F131208	14
F107786	25	F131701	38
F107787	38	F170023	25
F107808	23	F170024	26
F107846	24	F170025	14
F107922	22	F170416	38
F107981	22	F170566	14
F107982	24	F171301	30
F108038	9	F171322	30
F108039	9	F171689	23
F108294	14	F173292	30,32
F108298	23	F173293	32
F108299	19	F173314	38
F108316	14	F173347	9
F108319	25	F173472	22
F108374	30	F173845	22
F108386	30	F173846	22
F108420	30,33	F174536	26
F108504	22	F174650	30
F108601	22	F176610	12
F108752	23	F176940	14
F108856	23	F176943	14,32
F108857	26	F176944	32
F108879	37	F177610	19

Release date: December 2019

Automatic Greasing Systems

F177686	25	F642795	30
F177687	25	F642810	25
F177688	32	F642811	30
F177690	38	F643968	38
F177691	36	F657184	15
F177693	26	F657187	15
F177694	30,32	F657188	15
F177917	19	F657190	15
F177928	19	F657194	16
F178006	25	F658148	27
F178137	14	F658151	27
F178463	25	F679743	9
F178466	36	F682627	24
F178686	38	F682628	38
F178688	36	F682630	37
F200594	6	F685343	38
F200625	22	F699074	11
F200766	37	F699931	12
F201814	9	F724821	9
F201815	22	F724822	22
F202550	9	F724865	36
F202551	12	F724866	38
F202553	24	F724895	37
F202863	9	F727841	38
F203906	33	F727859	38
F203907	33		
F203908	33		
F204091	22		
F204517	9		
F204805	36		
F205251	38		
F206457	19		
F206764	18		
F206765	18		
F206936	24		
F207027	38		
F207306	9		
F207307	23		
F207318	30		
F207559	6		
F209453	9		
F209770	18		
F211944	32		
F211945	32		
F213924	9		
F601530	16		
F601910	9		
F602108	9		
F602363	6		
F602808	15		
F606893	12		
F611798	37		
F617033	38		
F617034	38		
F617503	9		
F632681	9		
F642791	23		
F642792	30		

