

Vision is  
our mission®

Camera AMOS CFMC 51° PAL

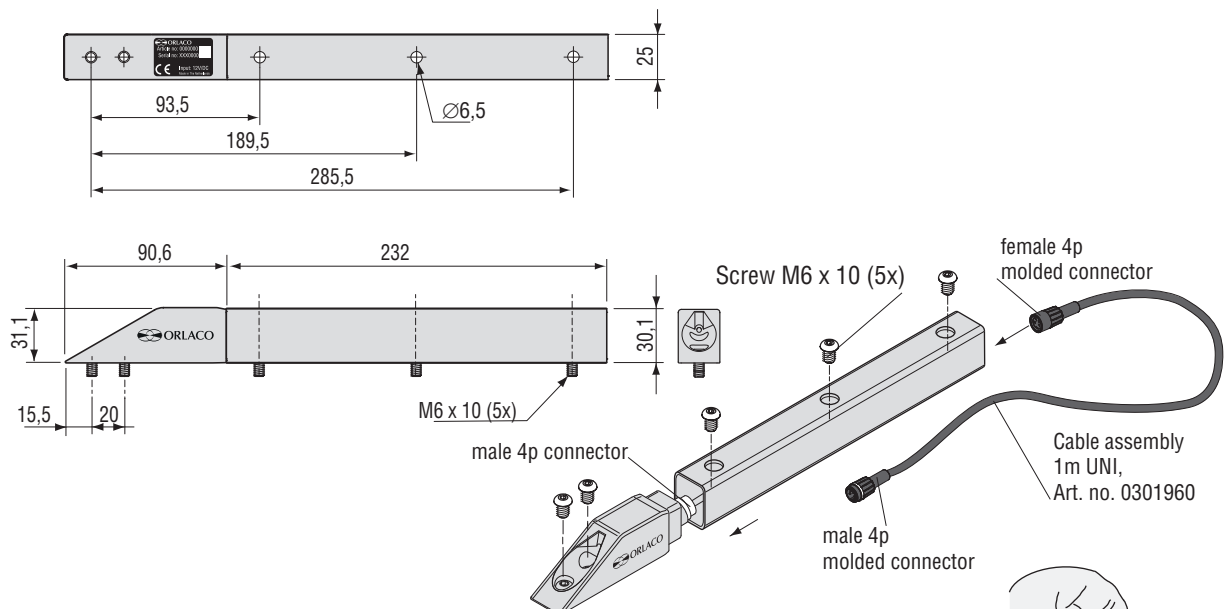
Article no. 0198710

2016 • DS0198710 R1-1

# Product Data



## Dimensions



### Cleaning the lens

Use a cotton-wool stick with Loctide 7063 on it and rub it over the lens



**luginbühl**  
fahrzeug- und werkstatttechnik

**ORLACO**  
Specialised Camera Solutions

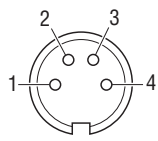
ISO/TS 16949  
ISO 9001  
ISO 14001



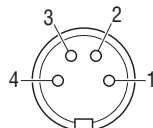
## TECHNICAL DATA

### Camera AMOS CFMC 51° PAL

<b>Article number</b>	<b>Description</b> <b>0198710</b>
<b>Lens specified</b>	51° horizontal and 38° vertical.
<b>Video signal</b>	<b>Sensor</b> PAL Standard, 1Vtt composite video into 75 Ohm.
<b>Sensor element</b>	1/4" CMOS digital image sensor. 640(H) x 480(V).
<b>Light sensitivity</b>	<0,05 Lux.
<b>Dynamic range</b>	80dB.
<b>Power input</b>	<b>Electrical</b> Stabilised 12V/DC.
<b>Power consumption</b>	<+15°C: 3W and >+15°C: 1,2W (heating off).
<b>Cable</b>	1m cable (Art. no. 0301960): 1 x Coax, 3 x signal (7 x 0,13mm <sup>2</sup> ) With total screening with 4p molded female connector and one molded male connector.
<b>Connection</b>	4p. male connector on camera
<b>Min. cable bend radius</b>	50mm.
<b>Housing</b>	<b>Mechanical</b> Moulded stainless steel QS 304, grey, separated from electronics through galvanising.
<b>Lens glass</b>	2mm chemically hardened, tempered float glass, 7x stronger than ordinary glass with anti reflective coating.
<b>Ingress protection</b>	IP68 according to IEC 60529 (up to 10m under water). IP69K according to DIN 40050-9, camera housing can withstand high pressure cleaning with water; 14-16L/min. 80°C and 100 bars flow.
<b>Mounting hardware</b>	Standard stainless steel.
<b>Shock constancy</b>	Shock and vibration resistant for usage on forks of forklift trucks, 50G shock test and 15G random vibration test.
<b>Weight</b>	0,23kg
<b>Operating temperature</b>	-40°C to +85°C.
<b>Storage temperature</b>	-40°C to +125°C.
<b>Approvals</b>	<b>Certification</b> Product is in compliance with the EMC directive.



Front Side Molded  
Female connector



Front Side Molded  
Male connector

#### Electrical connection

##### Art. No 0301960 Cable 1m UNI

1 = Coax core	= Video Signal
2 = Coax Shielding	= Video GND
3 = Red	= 12V/DC
4 = Black	= 0V
Shielding	= N.C.

#### Installation

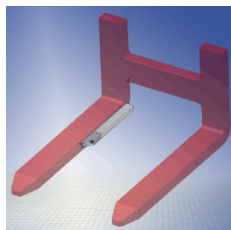
##### Install the camera between the forks on the right side.

General practice in the forklift industry allows mounting on forks as long as the following rules are fulfilled:

- Only screw connections are allowed.
- Maximum thread is M6.
- Maximum drilling depth is 10 mm.
- Distance between the fork heel and the hole has to be more than 20% of fork length.
- Drilling has to be in the centre-line of the fork.

Orlaco is never liable for any damage of the forks or damage caused by malfunctioning forks for installations without the formal permission of the fork manufacturer.

**IMPORTANT!:** Any drilling in the fork must be first formally approved by the appropriate fork manufacturer.



All data subject to change without notice. All dimensions are for commercial purpose only.  
The camera/display systems from Orlaco comply with the latest CE, ADR, EMC and mirror-directive regulations, where applicable.  
All products are manufactured in accordance with the ISO 9001 quality management system, ISO/TS 16949 quality automotive, ISO 14001 environmental management systems and all Ex products with the IECEx scheme and ATEX directives, where applicable.

