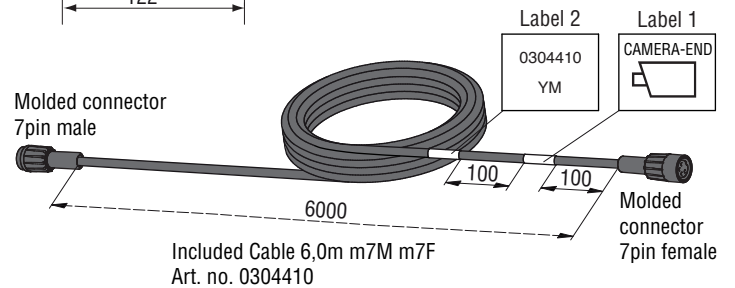
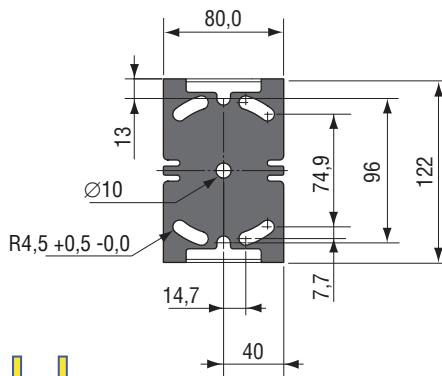
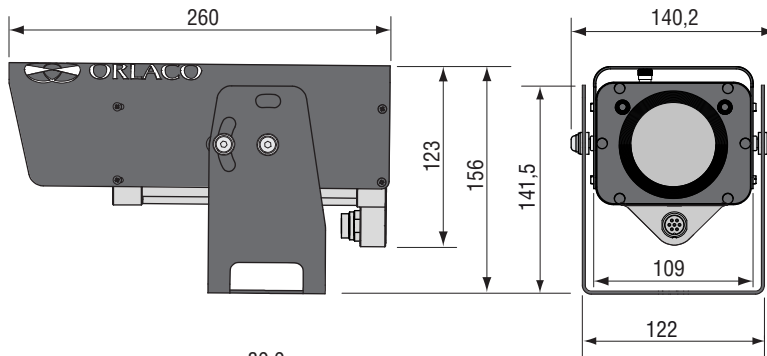


Product Data



Dimensions



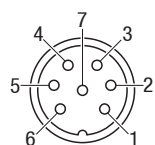
Units in mm

TECHNICAL DATA

Camera AFZ PAL Serial

Camera AFZ PAL Serial RS485

	Description
Article number	0103530 Camera AFZ PAL Serial RS232
Article number	0113530 Camera AFZ PAL Serial RS485
	Sensor
CCD sensor	1/4" type EX view HAD CCD.
TV system	PAL, CVBS, Output: 1 Vtt composite video into 75 ohm.
Picture elements	752 (H) x 582 (V) > 440000 pixels.
Resolution	550 TV lines (WIDE end).
Lens	F = 3,4 mm (WIDE) to 122,4 mm (TELE). 432x zoom ratio; 36x optical, 12x digital.
Lens speed	From wide optical to tele optical 4,0 sec. (F1,6 to F=4,5 zoom movement speed).
Angle of view (H)	48° (wide) 1,7° (tele).
Min. working distance	320 mm (WIDE end), 1500 mm (TELE end).
Min. illumination	1,4 Lux (1/50 sec. PAL Typical) 0,1 Lux (1/3 sec. PAL Typical).
S/N ratio	50 dB or more.
	Electrical
Power input	Cable between camera and power supply < 50 m 12-24V/DC, > 50 m 18-24V/DC.
Power consumption	Temperature <0°C (Heating on): 7,2 W & >0°C (Heating off): 3,6 W.
Communication	Communication via serial interface through pin nr. 5 and 6 of the 7 poles connector, Visca-, Pelco-D protocol (RS232 or RS485) 9,6 Kbps, 8 bit, 1 stop bit, no parity.
Presets	128 presets Visca and 255 presets Pelco-D.
Cable	Included: Cable 6,0m m7M m7F; Art. no. 0304410.
	Mechanical
Construction	Stainless steel QS304, mounting parts and sun cover, anodised aluminium housing, suitable for mobile applications with shocks and vibrations. Corrosion proof housing according to IEC 60068-2-52 salt mist, cyclic.
Ingress protection	IP 68 according to IEC 60529 (25 m under water), dry-nitrogen filled, 1,4 Bar overpressure.
Bracket	Standard Alu bracket, including bolts, nuts and washers. Suitable for mounting overhead and standing.
Operating temperature	-40°C to +85°C.
Glass	Chemically hardened lens glass, 7x stronger than ordinary glass, scratchproof surface, following "VII Flachgläser"(German std.).
Weight	2,6 kg.
	Certification
Green Passport	All materials are compliant to Green Passport requirements according IMO resolution MEPC.197(62) as adopted on 15 July 2011 (Maritime sector: International Maritime Organization concerning the functions of the Marine Environment Protection Committee).
Serial commands	See Orlaco Visca protocol manual; IM0973300 .
Installation	See Installation Manual; IM0973110 .



Solder side
7P Male socket

	RS232	RS485
1 = Coax core	(Video signal)	(Video signal)
2 = Coax shielding	(Video GND)	(Video GND)
3 = Red	(12...24V/DC)	(12...24V/DC)
4 = Black	(0V)	(0V)
5 = Orange	(Serial TX)	B (inv.)
6 = Yellow	(Serial RX)	A (non-inv.)
7 = Grey	(Not connected)	(Not connected)
Shielding	GND	GND

All data subject to change without notice. All dimensions are for commercial purpose only.
The camera/display systems from Orlaco comply with the latest CE, ADR, EMC and mirror-directive regulations, where applicable.
All products are manufactured in accordance with the ISO 9001 quality management system, ISO/TS 16949 quality automotive, ISO 14001 environmental management systems and all Ex products with the IECEx scheme and ATEX directives, where applicable.

