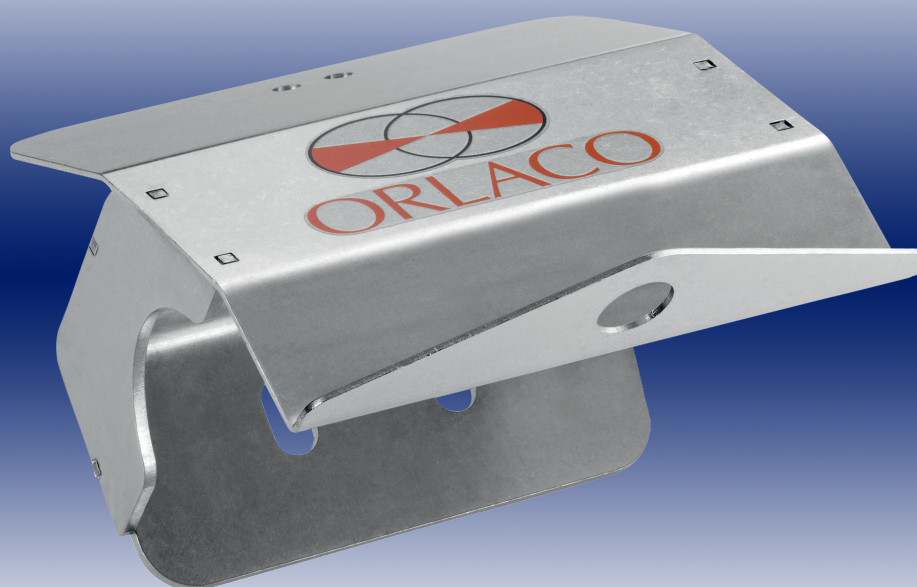


DATA

Data sheet no. DS0402360 EN
2014 • R2-0



Aerodynamic cover CC cam



Article no. 0402360

luginbühl
fahrzeug- und werkstatttechnik

Bruneggerstrasse 45, 5103 Möriken
Telefon 062-893 24 24, info@luginbuehl-ag.ch, www.luginbuehl-ag.ch

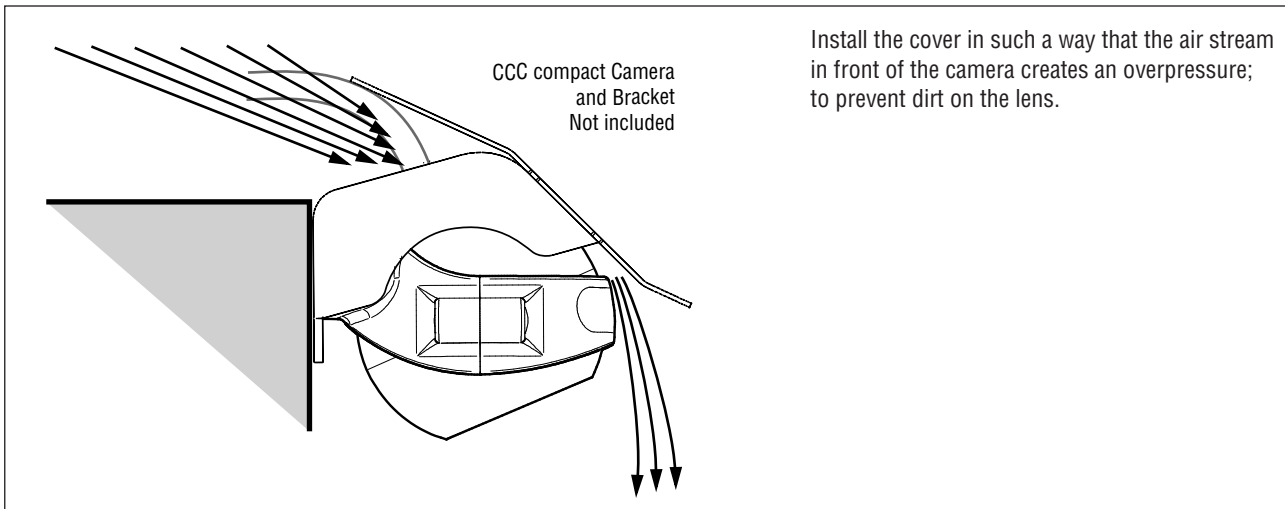


Technical Specifications

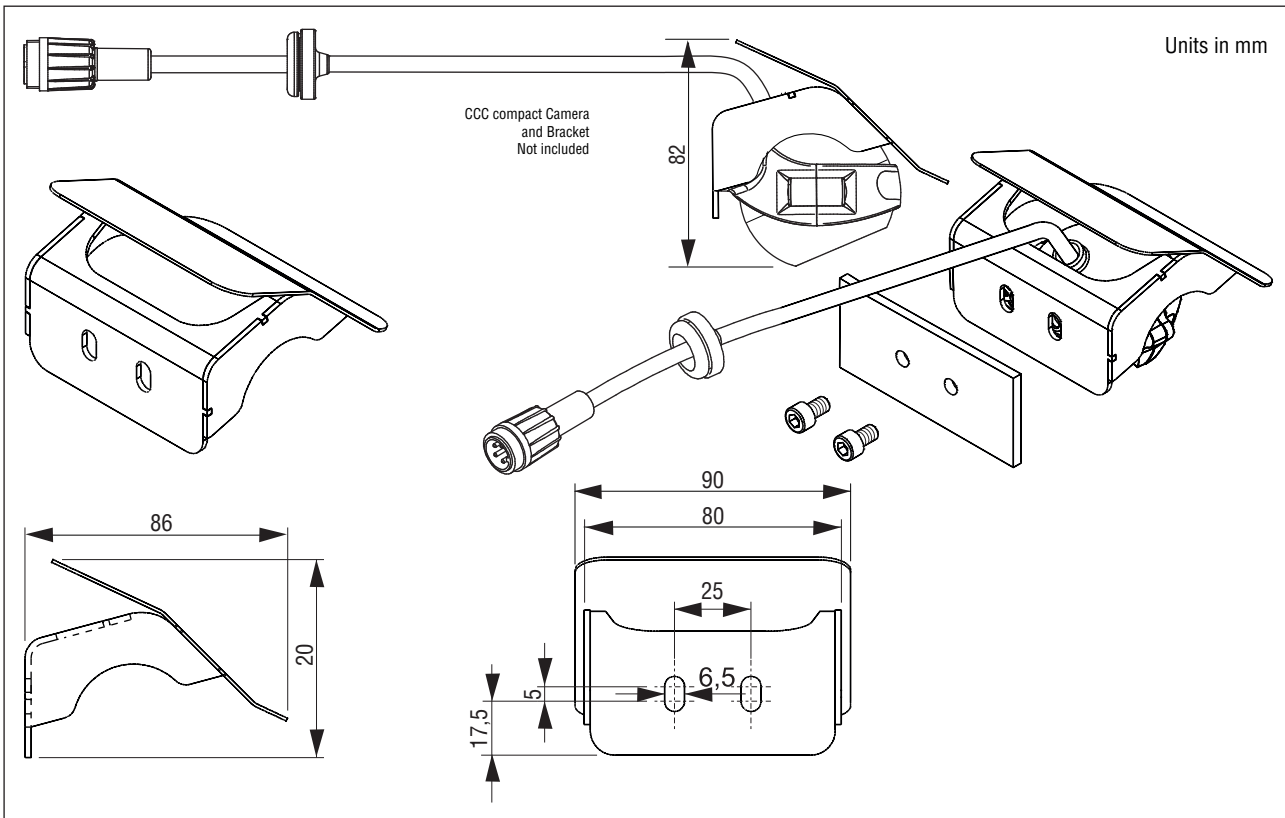
Aerodynamic cover CC cam

Application	Prevents dust and dirt coming on the camera lens and also provides additional protection to the camera.
Operating temperature	-40°C to +75°C.
Weight	170 gr.
Construction	Stainless steel 304 x 2,0.
Extra	Camera NOT included.

Installation



Dimensions



All data subject to change without notice. All dimensions are for commercial purpose only. The camera/display systems from Orilaco comply with the latest CE, ADR, EMC and mirror-directive regulations. All products are manufactured in accordance with the ISO 9001 quality management system, ISO/TS16949 quality automotive, ISO 14001 environmental management systems and all Ex products with the IECEx scheme and ATEX directives.

