

# Product

# DATA

Data sheet no DS0304020 EN  
2013 • R1-4



## Cable Cabin 8 m4M h10F mount



Article no 0304020

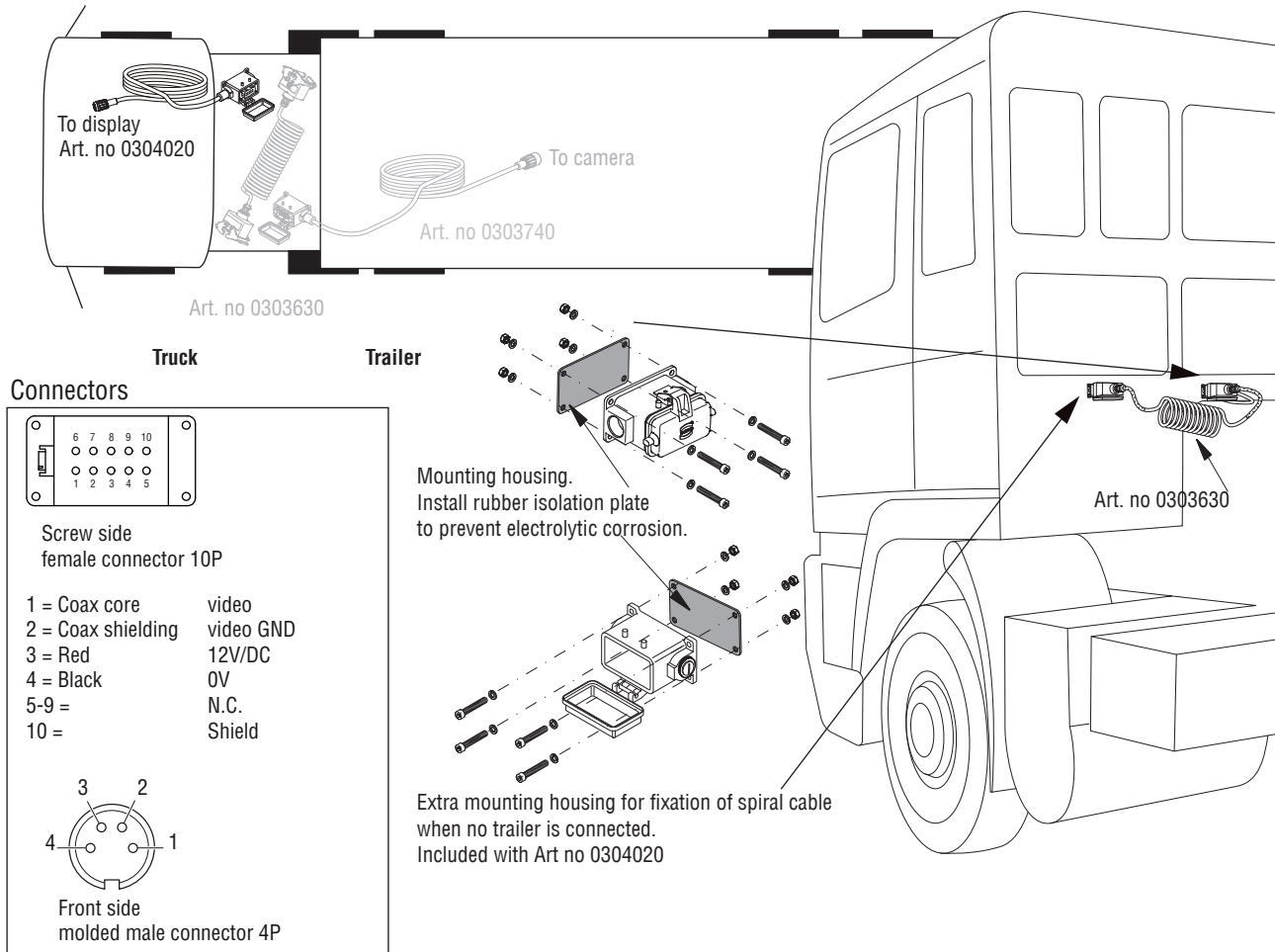


# Technical Specifications

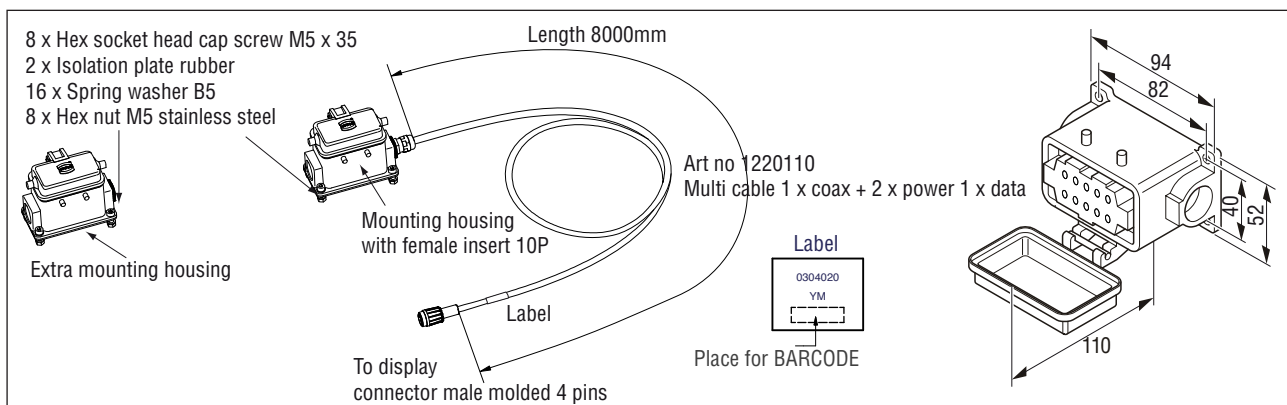
## Cable Cabin 8 m4M h10F mount

<b>Article number</b>	<b>0304020</b>
<b>Length</b>	8m.
<b>Cable</b>	Art. No. 1220110, Multi cable 1 x coax, 2 x power, 1 x data.
<b>Connectors</b>	1 x 10 pins housing with female connector and protection cap + 1 x male connector molded 4pins.
<b>Mounting hardware</b>	Rubber isolation, 4 x head cap screws M5 x 35, 8 x spring washers B5, 4 x hex nuts M5. Extra mounting housing with rubber isolation, 4 x head cap screws M5 x 35, 8 x spring washers B5, 4 x hex nuts M5.
<b>Operating temperature</b>	-40°C...+85°C.
<b>Weight</b>	1,2kg.
<b>Kit assembly</b>	To complete the kit use articles <b>0303630</b> and <b>0303740</b> .

# Installation



# Dimensions



All data subject to change without notice. All dimensions are for commercial purpose only. The camera/display systems from Orlaco comply with the latest CE, ADR, EMC and mirror-directive regulations. All products are manufactured in accordance with the ISO 9001 quality management system, ISO/TS16949 quality automotive, ISO 14001 environmental management systems and all Ex products with the IECEx scheme and ATEX directives.



[www.orlaco.com](http://www.orlaco.com)